

### "RAFR" CHOP-N-SERVE COLLECTION

*Edge Grain Wood Cutting Board - 2 1/4" Thick w/Metal Handles*

**FEATURES:**

- Northern Hard Rock Maple, 2-1/4" Thick
- Metal Handles
- Includes Finger Grip & Juice Groove
- Edge Grain Construction
- Oil Finish

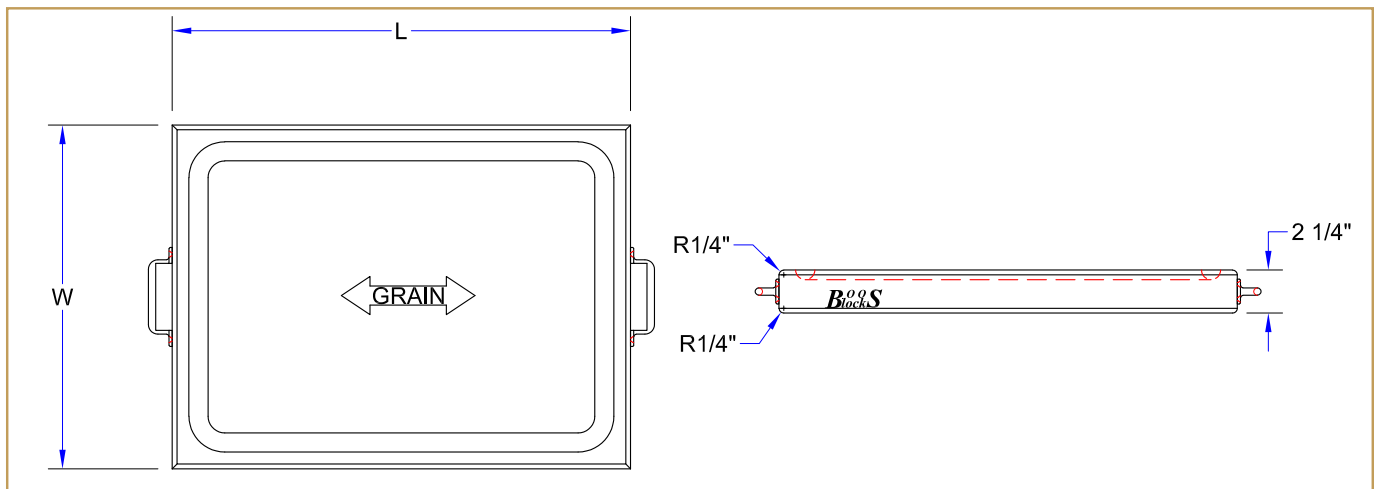
**CERTIFICATIONS:**



NHLA



RAFR2418



### "RAFR" WOOD CUTTING BOARD

MODEL	SIZE (L X W X H)	WT. (LBS)
RAFR2418	24"x18"x2-1/4"	24

ALL DIMENSIONS ARE TYPICAL. TOLERANCE +/- .125". JOHN BOOS & CO. RESERVES THE RIGHT TO CHANGE SPECIFICATIONS WITHOUT NOTICE.