

**KoolMore Reserve 30 in. Electric Professional Range with Tilt Panel and Digital controls, Self-Cleaning, 16300W of Power, 240V in Stainless-Steel**

Model: KM-EPR-30TDP-SS

**FEATURES**

- Precision Control
- Spacious Cooking Haven
- Halogen Brilliance
- Versatile Temperature Control
- Effortless Maintenance



CLOSE UP IMAGES



# Technical Specs

## Dimensions

Length	30
Width	28
Height	36
Interior Width	23.74
Interior Depth	19.53
Interior Height	17.99
Cutout Dimensions	23.925"D*30"W
Weightlbs	199.1
Depth With Door Open 90 Degrees	47.3
Depth Excluding Handles	27.4
Depth Including Handles	29.2
Depth Less Door	24
Installation Type	Freestanding

## Capacity

Gross Cubic Feet	5.02
Net Cubic Feet	4.8

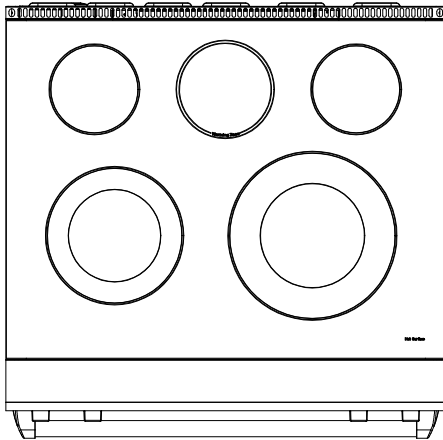
## Features & Materials

Fuel Type	Electricity
Convertible	No
Cleaning Type	Self-Clean and Steam-Clean
Temperature Range	175-550 F
Preheat Time	15-20 min.
Number Of Oven Racks	2
Rack Positions	6
Glide Rollout Racks	No
Number Of Elements	5
Heating Element Diameter	"1200W-6.25 3000W(1500W and 1500W)-9.8inch 3000W-11.8inch, 100W- 6.7 in."
Heating Element Wattage	"Right Front:3000W Left Front:3000W Right Rear:1200W Left Rear:1200W Rear Middle:100W"
Cooktop Surface Type	Black Polished Plate Glass Ceramic
Cooktop Features	Overheating indicator light
Broiler Location	Top of Oven
Delay Bake	Yes
Control Type	Touch screen
Control Location	Front control
Hot Surface Indicator Lights	Yes
Keep Warm Setting	Yes
Exterior Material	Stainless-Steel
Interior Material	SPCC+Enamel
Color Finish	Stainless-Steel
Interior Color	Black
Color Of Cooktop	Black
Interior Lights	Halogen
Feature One	Bake
Feature Two	Broil
Feature Three	Conv bake
Featrue Four	Conv Roast
Feature Five	Pizza
Feature Six	Keep Warm
Feature Seven	True convection

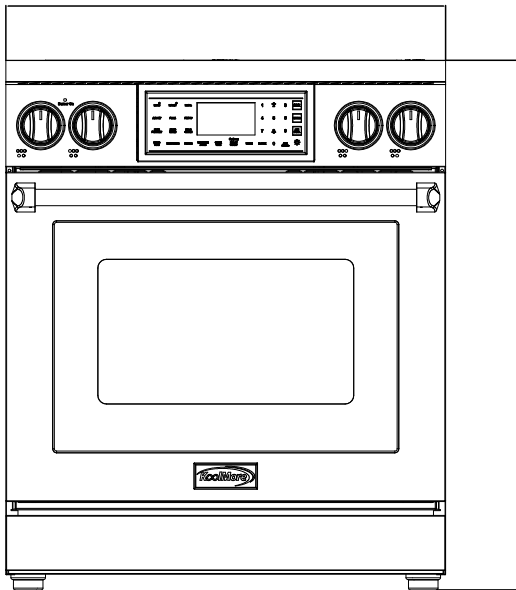
## Electric & Certification

Amps	50
Hertz	60
Phase	3
Voltage	240
Wattage	3500w
Power Cord Included	No
Electrical Installation Type	Hardwired
Certifications	CSA Certified for Safety

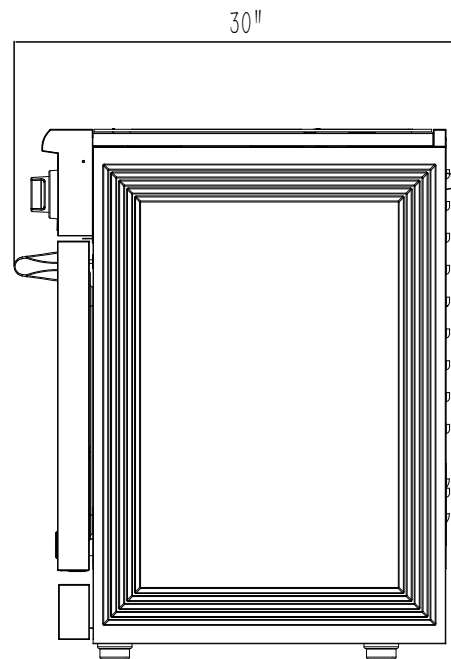
# Plan View



29 7/8"



36-39"



30"

CERTIFICATIONS



**KOOLMORE**  
RESERVE

718-576-6342  
info@koolmore.com