



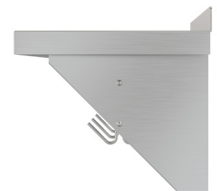
SPEC SHEET

KoolMore 12" x 48" 18-Gauge Stainless-Steel Heavy Duty Wall Shelf with Pot Rack

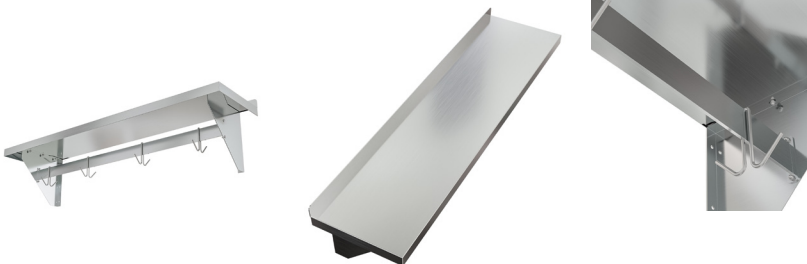
Model: WMPS-1248

FEATURES

- Four Removable Storage Hooks
- Rust and Corrosion Resistant
- 18-gauge heavy-duty stainless steel
- Overall Dimensions: 12 x 48 x 10 in.
- 165 lbs. Capacity
- Includes Mounting Hardware
- NSF Listed Certification
- 90-Day Warranty



CLOSE UP IMAGES



TECHNICAL SPECS

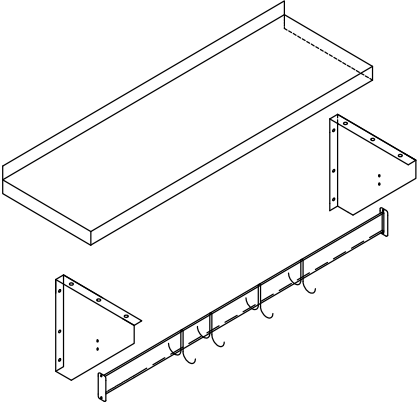
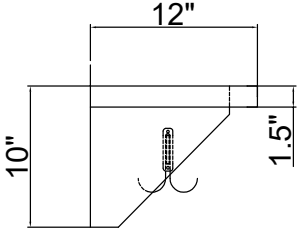
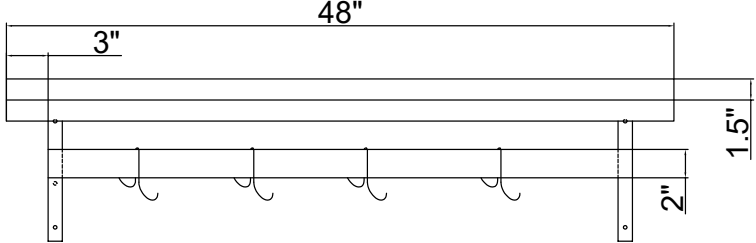
Dimensions

| | |
|------------|------|
| Length | 48 |
| Width | 12 |
| Height | 10 |
| Weight lbs | 15.9 |

Specs & Certification

| | |
|--------------------------|------------------------------|
| Number Of Hooks | 4 |
| Top Capacity | 165 Lbs |
| Exterior Material | 430 Stainless-Steel |
| Gauge Of Stainless Steel | 18 |
| Certifications | NSF Certified for Sanitation |

Plan View



CERTIFICATIONS



706 Eastern Parkway STE 1G, Brooklyn NY 11213
718-576-6342
info@koolmore.com