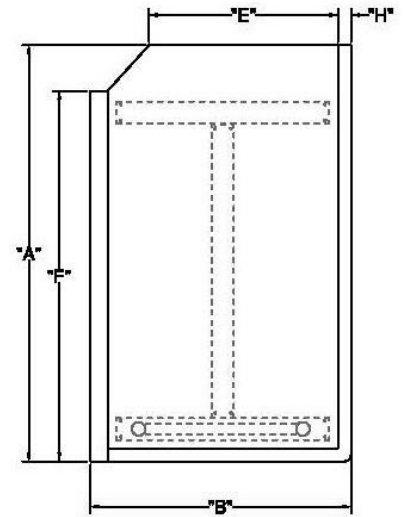
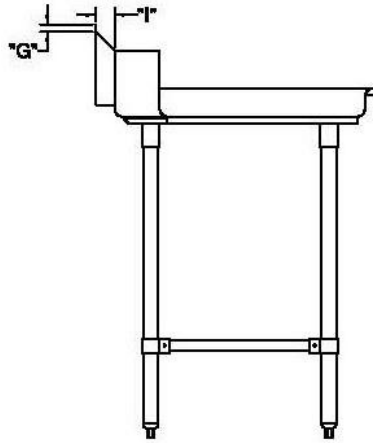
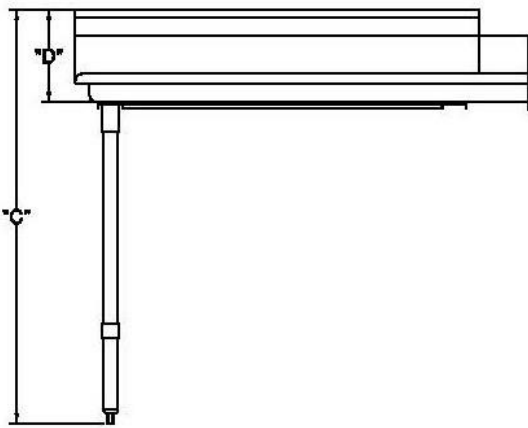


16 Gauge Stainless Steel Clean Dishtables



- Made of 16-gauge, 304 stainless steel
- Stainless Steel Legs with Cross Bracing Made of 18-gauge, 202 Stainless Steel
- 1" Adjustable stainless steel bullet feet for added stability



ITEM	Length (A)	Width (B)	Overall Hight (C)	Back Splash Hight (D)	Machine Lip (E)	Back Splash Length (F)	Rolled Edge Hight (G)	Rolled Edge Hight (H)	Back Splash Depth (I)
SWCDT-26L	26"	30"	43 3/4"	9 3/4"	21 3/4"	20 3/4"	3/4"	1 1/2"	2"
SWCDT-36L	36"	30"	43 3/4"	9 3/4"	21 3/4"	30 3/4"	3/4"	1 1/2"	2"
SWCDT-48L	48"	30"	43 3/4"	9 3/4"	21 3/4"	42 3/4"	3/4"	1 1/2"	2"
SWCDT-60L	60"	30"	43 3/4"	9 3/4"	21 3/4"	54 3/4"	3/4"	1 1/2"	2"
SWCDT-72L	72"	30"	43 3/4"	9 3/4"	21 3/4"	66 3/4"	3/4"	1 1/2"	2"