



F1FB36 with stainless door and top



Intertek Intertek
 4004503
 Conforms to NSF/ANSI STD 7 and UL STD 471
 Certified to CSA STD C22.2 No. 120



Capable of storing specialty cocktail ice

Standard Features

- Self-contained
- Stainless steel interior
- Locking door(s)
- LED interior lighting
- Two defrost cycles
- Automatic condensate evaporator
- Heated cabinet front to minimize condensation
- Three adjustable, coated-wire shelves

Project: _____	AIA# _____
Item #: _____ Qty: _____	SIS# _____
Model #: _____	

Frosters, One Zone, Front Serviced, Bar Profile	
F1FB	F1FB32, F1FB36

CONFIGURATION HIGHLIGHTS

 DOORS IN NINE FINISHES	 DRAWERS IN FIVE FINISHES
---	---

Configurable Options

- | | |
|---|---|
| <p>Refrigeration Compartment Location:</p> <ul style="list-style-type: none"> • Left or Right <p>Refrigeration Compartment Cover Finish:</p> <ul style="list-style-type: none"> • Black vinyl-clad • Stainless steel • Jeweled stainless • Laminated • Unlaminated <p>Door Style & Finish:</p> <ul style="list-style-type: none"> • Black vinyl-clad • Stainless steel • Jeweled stainless • Laminated • Unlaminated • Glass, black vinyl-clad • Glass, stainless steel • Glass, jeweled stainless • Glass, laminated <p>Drawer Style & Finish:</p> <ul style="list-style-type: none"> • Black vinyl-clad • Stainless steel • Jeweled stainless • Laminated • Unlaminated | <p>Door Hinge Location</p> <ul style="list-style-type: none"> • Left or Right <p>Door Handle:</p> <ul style="list-style-type: none"> • Signature (drawers excluded) • Pull-tab • Tube <p>Top Style:</p> <ul style="list-style-type: none"> • No finished top • Stainless top <p>Left and Right Side Finish:</p> <ul style="list-style-type: none"> • Black vinyl-clad • Stainless steel <p>Back Finish:</p> <ul style="list-style-type: none"> • Galvanized steel • Stainless steel <p>LED Lighting Style:</p> <ul style="list-style-type: none"> • Bright white (7,000k) • Warm white (3,500k) • Amber (2,700k) • Blue |
|---|---|

Glastender, Inc. • 5400 N Michigan Rd • Saginaw, MI • 48604-9780 989.752.4275 • 800.748.0423 • Fax 989.752.4444 www.glastender.com	Approval/Notes:
Specifications subject to change without notice. For current specifications please visit our website.	

Frosters - One Zone, Front Serviced, Bar Profile

Specifications

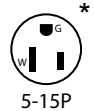
		F1FB32	F1FB36
Dimensions	Length	32"	36"
	Number of Sections	1	1
	Door Opening	16"	20"
Electrical	Electrical Supply	120V, 1 phase, 60 Hz, dedicated 15A circuit required	
	Full Load Amps	6.5	
	Plug Type	8 foot NEMA 5-15P grounded cord and plug which exits the back of refrigeration compartment	
Refrigeration	Refrigerant	R290 refrigerant - 130 grams, 4.59 oz, 0.29 pounds	
	Compressor	Reciprocating, 1/3 HP, 1300 BTUH, 0.11 Tons	
	Heat Rejection	2660 BTUH	
Operating Range		12°F (-11°C) to 35°F (2°C)	
Plumbing		Automatic condensate evaporator. No drain connection required †	
Weight Bearing Capacity		Countertops and other accessories should not exceed 500 pounds per door	

Materials

- Stainless steel parts include: exterior sub-top, interior, front of cabinet, hinges, hinge and lock brackets, and optional legs
- Black vinyl-clad steel parts include: standard sides, doors and compressor cover
- Galvanized steel parts include: back and bottom

Refrigeration

- Fin & tube evaporator with forced air circulation
- Equipped with manual fast freeze mode that accelerates the freezing process and automatically reverts back to the normal operating mode



† Building conditions outside the guidelines of ASHRAE 55 and ASHRE 62.1 may need to be plumbed to a drain.

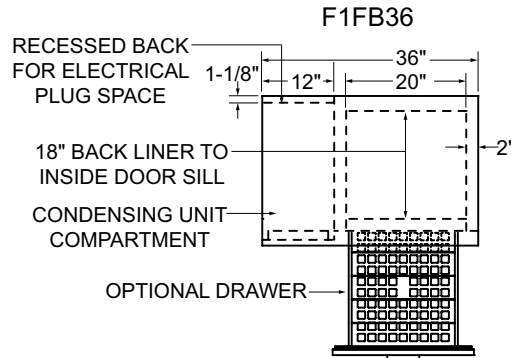
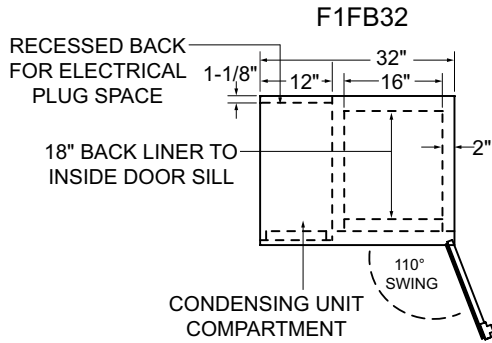
Capacities

	F1FB32	F1FB36
10 oz. Mugs	120	168
6" High Pint Glasses	96	120

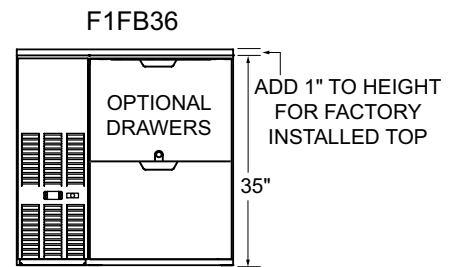
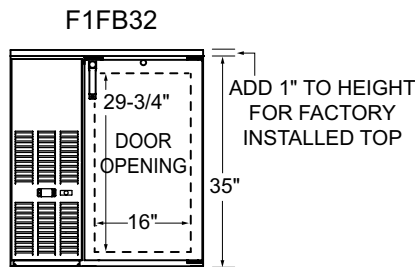
Frosters - One Zone, Front Serviced, Bar Profile

Drawings

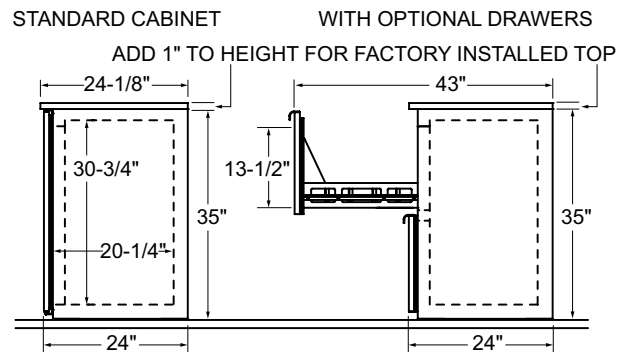
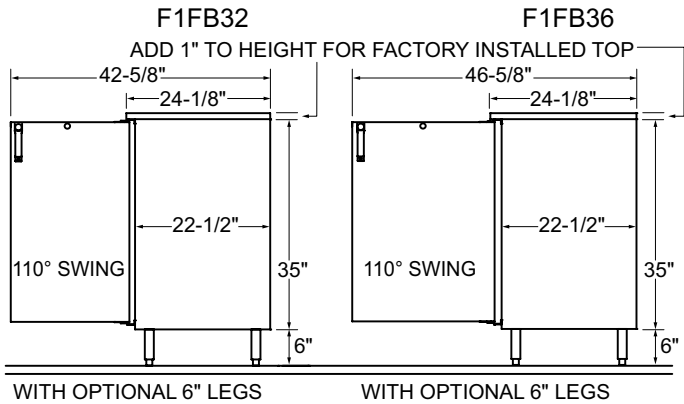
PLAN VIEWS



FRONT VIEWS



SIDE VIEWS



OPTIONAL LEGS AND CASTERS

