



<https://choicebyglastender.com>



C-SC-12



C-SC-24R



C-SC-18



**Intertek**  
4004503

Conforms to NSF/ANSI STD 2  
Certified to CSA STD B45.4

### Specifications

#### Drain

- 1-1/2" I.P.S. threaded drain will fit Dearborn part #8033 slipnut and part #W-573P washer.

#### Faucet

- Deck mount on 4" centers, accepts 3/8" sink leads, hot and cold water connection required
- Optional foot-operated faucet: single hole, (2) 1/2" NPT female inlets and (1) 1/2" NPT female outlet
- NSF/ANSI 61, 372 low lead compliant

#### Sink Bowl Dimensions

- 9-1/4" by 11-1/2" by 6" deep

#### Legs

- 1-5/8" diameter, 16 gauge stainless steel
- Stainless steel bullet feet

#### Materials

- 20 gauge stainless steel parts include: all components unless otherwise noted

**WARNING:** The plastic wet waste strainer included with this product can expose you to chemicals including Bisphenol A (BPA), which is known to the State of California to cause birth defects or other reproductive harm. For more information, go to [www.P65Warnings.ca.gov](http://www.P65Warnings.ca.gov). **Warning applies to State of California only.** Part #03000483

Project: _____	AIA# _____
Item #: _____ Qty: _____	SIS# _____
Model #: _____	

## Sink Cabinets

**C-SC**

C-SC-12, C-SC-12-LD, C-SC-18,  
C-SC-18-LD, C-SC-24L, C-SC-24R,  
C-SC-24L-LD, C-SC-24R-LD

### Standard Features

- All stainless steel
- One-piece seamless top and backsplash featuring 1/4" radius corners
- Drawn sink bowl
- Heavy duty, hot and cold water faucet
- 24" deep cabinet base with locking front-hinged access door
- Adjustable stainless steel bullet feet
- C-SC-12 includes storage space for three 1-gallon chemical containers
- C-SC-18 includes 6" round trash chute in work surface for access to trash receptacle (not included)
- C-SC-24 includes 12" corrugated drainboard and vertically divided storage area for three 1-gallon chemical containers on one side and additional storage on the other

### Configurable Options

- Foot-operated faucet; specify option FOF-D
- Without door; specify -LD suffix in model number
- Sink may be located to the left or right, specify L or R suffix in the model number (for C-SC-24)
- Side splashes; specify option C-LSB-D (left) and/or C-RSB-D (right)

### Accessories

- 03005491 Trash receptacle, 28-1/2 qt, plastic, for C-SC-18 models
- 03013600 Shelf kit for storage area below drainboard on C-SC-24 models
- 03000483 Lift-out perforated plastic wet waste strainer
- DWC Trash receptacle, stainless steel (for C-SC-18 models)

FOF-D  
Foot-operated faucet



To view cleaning and care instructions, please visit:  
[https://www.glastender.com/PDF/F-423-011\\_ss\\_clean\\_care.pdf](https://www.glastender.com/PDF/F-423-011_ss_clean_care.pdf)

Glastender, Inc. • 5400 North Michigan Road • Saginaw, MI • 48604-9780  
989.752.4275 • 800.748.0423 • Fax 989.752.4444  
<https://glastender.com>

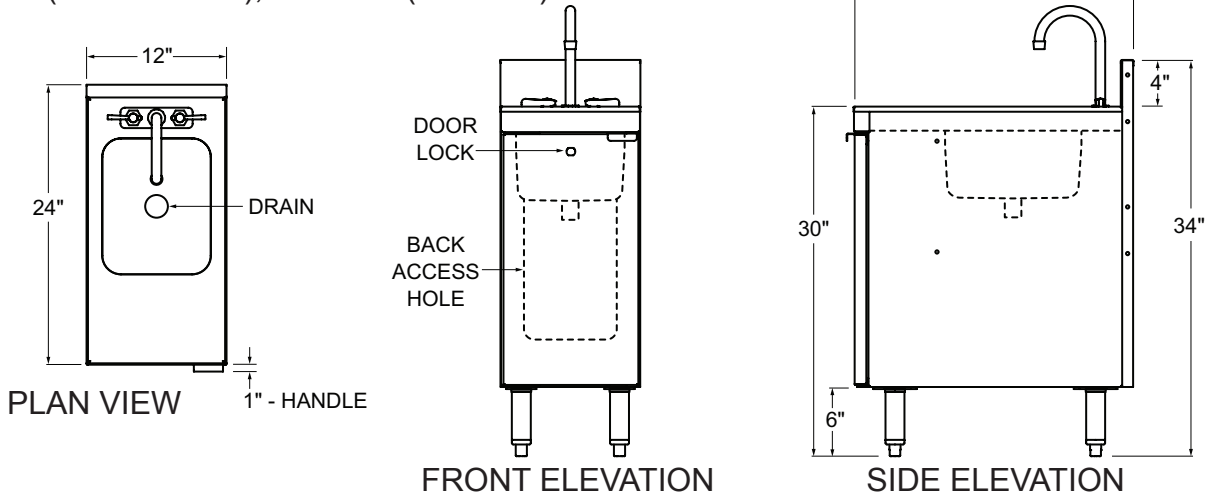
Approval/Notes:

Specifications subject to change without notice. For current specifications please visit our website.

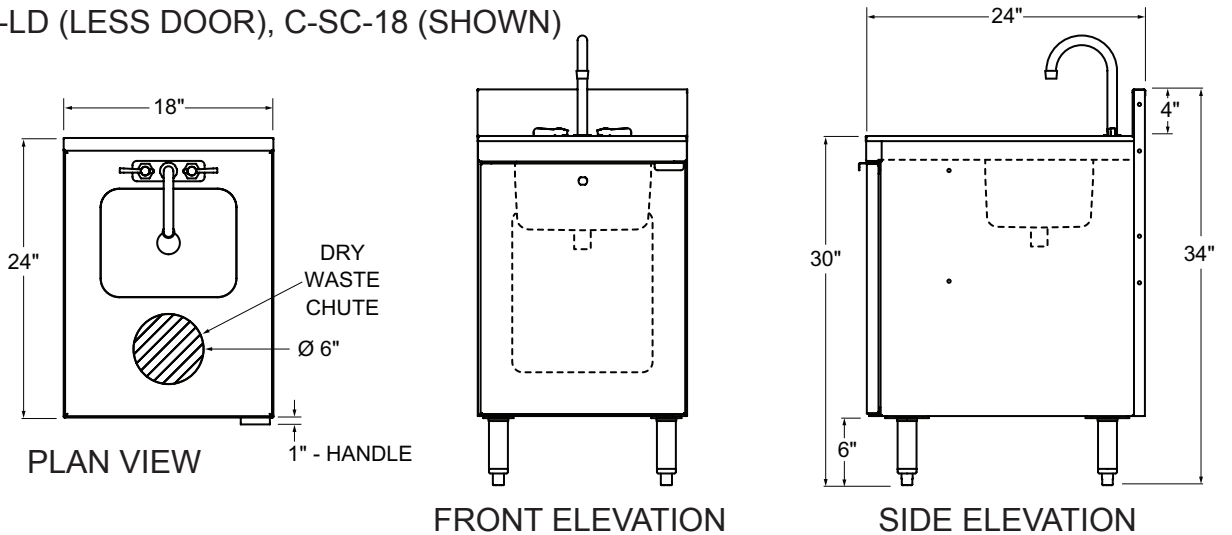
# Choice Sink Cabinets

## Dimensional Information

C-SC-12-LD (LESS DOOR), C-SC-12 (SHOWN)



C-SC-18-LD (LESS DOOR), C-SC-18 (SHOWN)



C-SC-24L OR R-LD (LESS DOOR), C-SC-24L OR R (LEFT SHOWN)

NOTE: The C-SC-24L-LD and C-SC-24L have the sink located on the left. Specify C-SC-24R-LD or C-SC-24R for sink located on the right.

