



<https://choicebyglastender.com>



C-PCB-24



**Intertek**  
4004503

Conforms to ANSI/NSF STD 2

Project: _____	AIA# _____
Item #: _____ Qty: _____	SIS# _____
Model #: _____	

## ***POS Cabinets***

<b>C-PCB</b>	C-PCB-18, C-PCB-18-LD, C-PCB-24, C-PCB-24-LD
--------------	---

### *Standard Features*

- All stainless steel
- One-piece seamless top and backsplash
- Louvered door for air flow
- Door lock
- 26" high work surface to accommodate cash drawer and POS monitor
- Grommeted cord access hole in work surface
- Large access hole in back wall
- Adjustable stainless steel bullet feet

### *Specifications*

**Legs**

- 1-5/8" diameter, 16 gauge stainless steel
- Stainless steel bullet feet

**Materials**

- 20 gauge stainless steel

### *Configurable Options*

- Without door: add -LD suffix to model number
- Side splashes: specify option C-LSP (left) and/or C-RSP (right)

To view cleaning and care instructions, please visit:  
[https://www.glastender.com/PDF/F-423-011\\_ss\\_clean\\_care.pdf](https://www.glastender.com/PDF/F-423-011_ss_clean_care.pdf)

### *Side Splash Accessories*

**\*NOTE: Verify cash drawer width before ordering side splash accessories.**



With C-LSP option



With C-RSP option



With C-LSP and C-RSP options

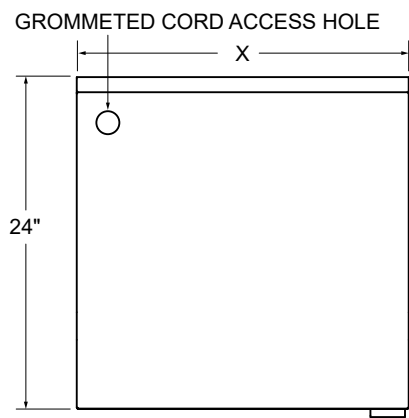
<p><b>Glastender, Inc.</b> • 5400 North Michigan Road • Saginaw, MI • 48604-9780 989.752.4275 • 800.748.0423 • Fax 989.752.4444 <a href="https://glastender.com">https://glastender.com</a></p>	<p>Approval/Notes:</p>
<p><small>Specifications subject to change without notice. For current specifications please visit our website.</small></p>	

# Choice POS Cabinets

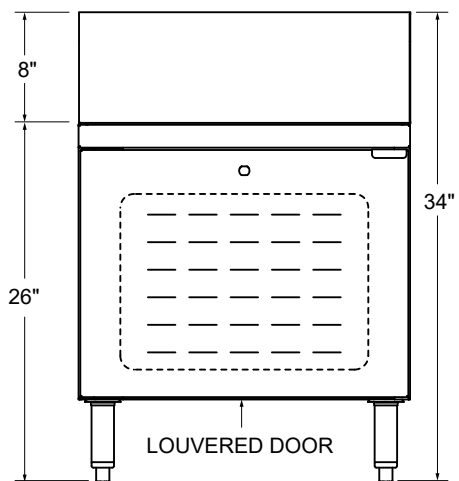
## Dimensional Information

Model Number	X - OD
C-PCB-18	18"
C-PCB-18-LD	18"
C-PCB-24	24"
C-PCB-24-LD	24"

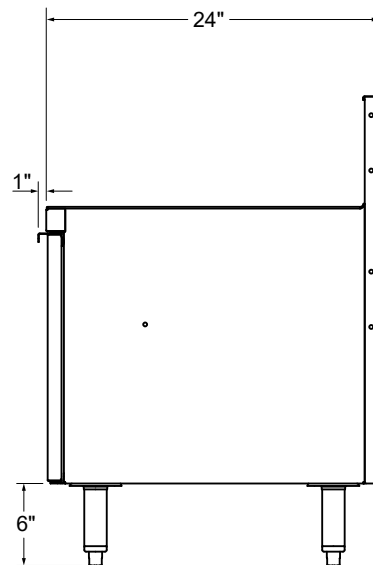
### C-PCB LESS SIDE SPLASH ACCESSORIES



PLAN VIEW



FRONT VIEW

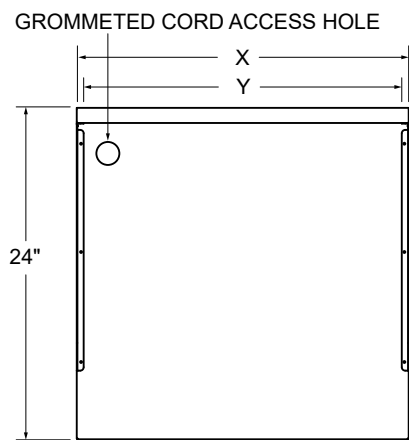


SIDE VIEW

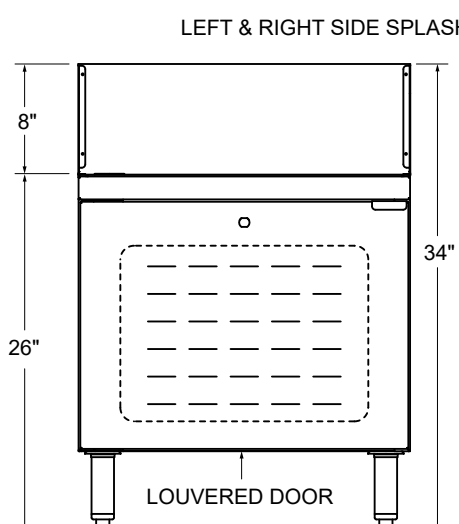
Model Number	X - OD	Y - ID w/ LSP-3 and RSP-3 accessories*
C-PCB-18	18"	17-7/8"
C-PCB-18-LD	18"	17-7/8"
C-PCB-24	24"	23-7/8"
C-PCB-24-LD	24"	23-7/8"

### C-PCB WITH SIDE SPLASH ACCESSORIES\*

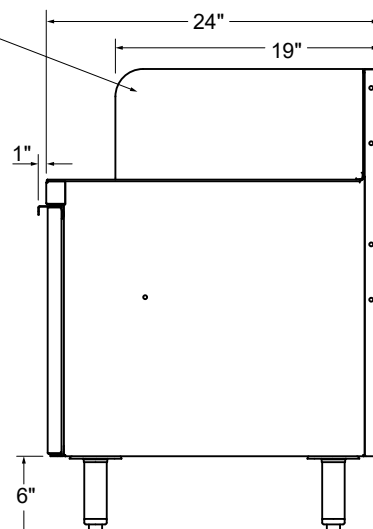
**\*NOTE: Verify cash drawer width before ordering side splash accessories.**



PLAN VIEW



FRONT VIEW



SIDE VIEW