



The Signature of Quality

FEDERAL INDUSTRIES

A Standex Company

215 Federal Avenue
Belleville, Wisconsin 53508-9201

Phone: 800-356-4206

Fax: 608-424-3234

Email: Geninfo@Federalind.com

Website: Federalind.com

Project Name: _____

Item #: _____

Model #: _____ Qty: _____

Approval: _____

AIA #

SIS #

VISION SERIES - Curved End Self-Serve Refrigerated Case - 78"

Designed with impulse sales in mind. Get maximum return from an attention-grabbing merchandiser and increase profits.



Model VRSS7278C Shown with Options

Table with 2 columns: MODEL and DIMENSIONS (Includes End Panels). Rows include VRSS3678C, VRSS4878C, VRSS6078C, and VRSS7278C with their respective dimensions in inches and millimeters.

STANDARD FEATURES

Model Features

- Black interior including shelves
Stainless steel display deck
Tempered glass ends
Black powder coated base frame
Moisture resistant end panel construction
Choice of standard colors on lower millwork panel
Black trim
Adjustable leg levelers
Cord & 90 degree plug, self-contained only
Front air intake / front discharge
Energy saving night curtain
Matches profile of the VRSS & VHSS models

Refrigeration

- R290 Refrigerant
Electronic temperature control maintains 38°-40°F (3.3°-4.4°C) Note: Case temperatures will vary if the air curtain is disrupted.
Digital thermometer
Clear coil on demand defrost
Coated evaporator coil

Shelving

- Four tiers of adjustable black metal shelves with black price tag molding.
Shelves can be flat or slanted down at 10°.

Lighting

- 3500K LED top light

Agency Approvals

- UL, C-UL and UL Sanitation listed to NSF-7, Type I Conditions
DOE 2017 compliant

OPTIONAL ACCESSORIES

- 3500K LED lights below shelves
White interior (including shelves)
Stainless steel interior (including shelves)
Stainless steel or glass shelves in lieu of black
Deli meat pegs
Additional lighted 3500K LED shelf
Field Install - High-capacity condensate evaporator assembly - Separate (1500W 120V, 15 AMP circuit required)
Condensate evaporator assembly (field install) (separate 120V, 20A circuit required) (remote only)
Remote refrigeration with condensate pump (EEV included)
Self-cleaning condenser
Rear air intake / rear discharge
Stainless steel exterior finish
Graphics package
Solid end panels (mirrored interior)
Reflective end glass
Clear or reflective glass, sliding rear doors (Solid hinged on 36" cases)
6" legs (152mm)
Seismic legs
Skirt w/4" casters or legs
2 1/2" (63.5mm) recessed or 4" (101.6mm) casters (self-contained models only) (Weight limits may apply)
Joining kit for continuous line-ups (not available with casters)
Front wire display basket
Front cart bumper
Black polycarbonate removable locking security cover

*Additional options available on the website and price list



WARRANTY* One year Parts and Labor 2nd thru 5th year part only service compressor (U.S.A. and Canada)

Note: Information is subject to change at any time. Visit www.federalind.com for the most current specs.

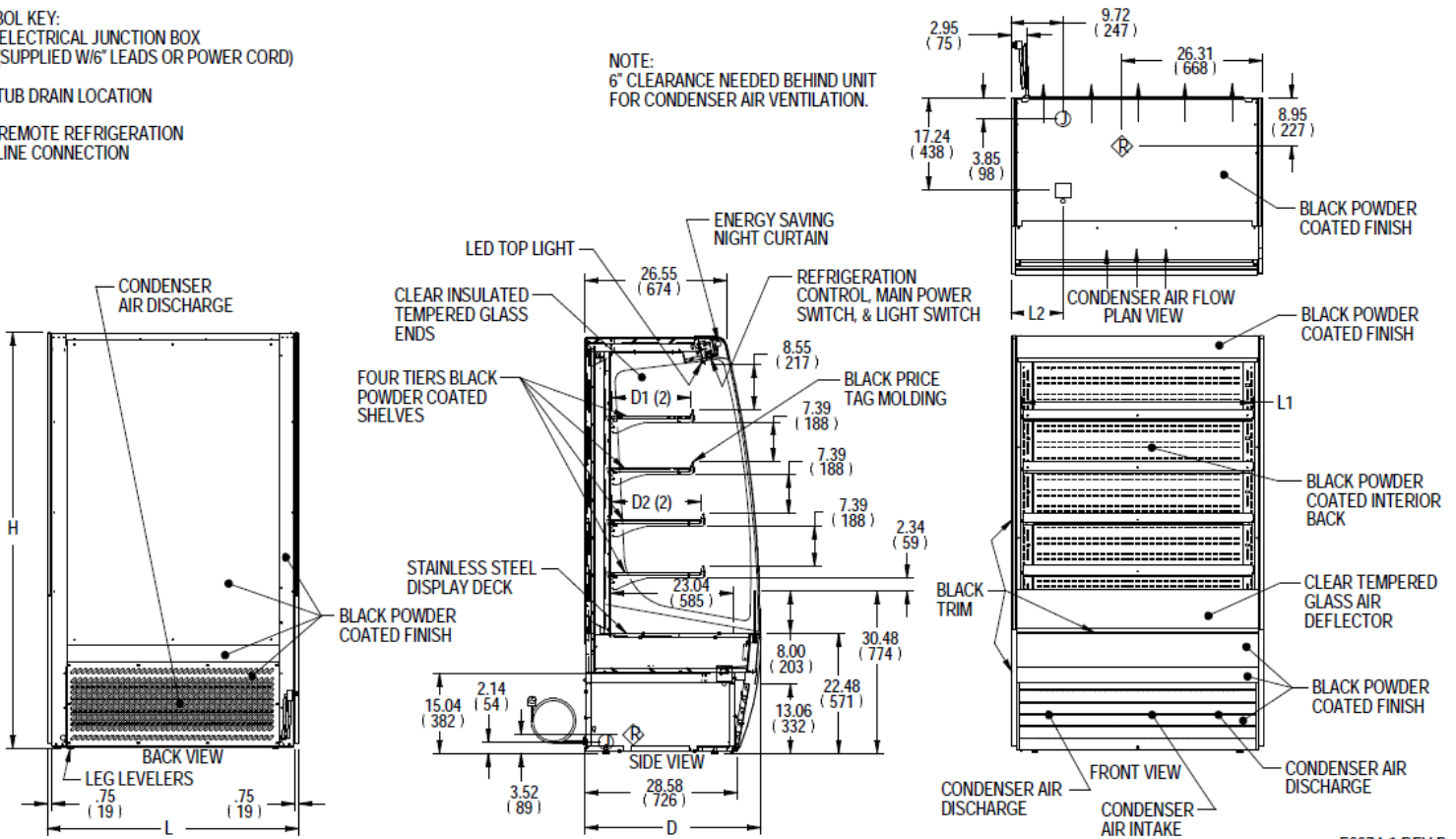
AIA #	VISION SERIES - Curved End Self-Serve Refrigerated Case - 78"
SIS #	
Product Specifications	

Intended Environment: Type I - Designed to operate in maximum ambient conditions of 75°F (24°C) and 55% relative humidity.		
Zone	Intended Product To Be Displayed	Avg Prod Temp °F/°C
All	Packaged Refrigerated Products	38°F / (3.3°C)

DIMENSION: xx"/(mm)
DIMENSION TOLERANCE +/- 0.25 (6.4)

- SYMBOL KEY:**
- J ELECTRICAL JUNCTION BOX (SUPPLIED W/6' LEADS OR POWER CORD)
 - T TUB DRAIN LOCATION
 - R REMOTE REFRIGERATION LINE CONNECTION

NOTE:
6" CLEARANCE NEEDED BEHIND UNIT FOR CONDENSER AIR VENTILATION.



E3974-1 REV B

MODEL	DIMENSIONS			TUB DRAIN	SHELVING			INTERIOR VOLUME CU FT	ELECTRICAL 2 WIRE + GROUND	STANDARD CONNECTION CORD & PLUG			REFRIGERANT	CONDENSATE REMOVAL	SHIP WEIGHT LBS KILO	PERMANENT CONNECT		REMOTE				
	L	D	H	L2	# OF TIERS	L1	D1			D2	AMPS	MAX FUSE SIZE				NEMA CORD &	AMPS	MAX FUSE	REFRIGERANT	BTU'S @ +20°	CONDENSATE REMOVAL	SHIP WEIGH
	in	in	in	in		in	in			in												
VRSS3678C	36	33	78	6.74	4	32.25	14.634	16.634	19.47	120/60/1	16.0	20	NEMA 5-20P	R290	INTEGRATED PAN	740	2.5	15	R449A	6,720	PUMP	695
	914	838	1981	171		819	372	423								336						315
VRSS4878C	47.25	33	78	13.49	4	43.25	14.634	16.634	25.74	208-240/60/1	11.0	15	NEMA 6-15P	R290	INTEGRATED PAN	820	3.0	15	R449A	9,580	PUMP	775
	1200	838	1981	343		1099	372	423								372						351
VRSS6078C	59.25	33	78	14.12	4	55.25	14.634	16.634	32.58	208-240/60/1	16.0	20	NEMA 6-20P	R290	INTEGRATED PAN	1030	3.5	15	R449A	11,200	PUMP	985
	1505	838	1981	359		1403	372	423								467						447
VRSS7278C	71.25	33	78	20.12	4	67.25	14.634	16.634	39.42	208-240/60/1	16.0	20	NEMA 6-20P	R290	INTEGRATED PAN	1080	3.5	15	R449A	12,300	PUMP	1040
	1810	838	1981	511		1708	372	423								490						472

- Due to continuing engineering improvements, specifications are subject to change without notice
- Case temperature will vary if the air curtain is disrupted.



FEDERAL INDUSTRIES
 A Standex Company
 215 Federal Avenue Belleville, Wisconsin 53508-9201

Phone: 800-356-4206
Fax: 608-424-3234
Email: Geninfo@Federalind.com
Website: Federalind.com