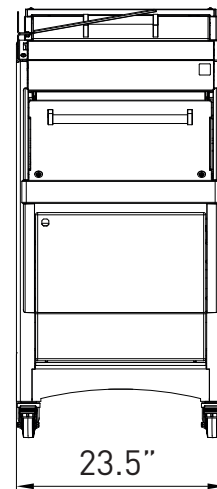
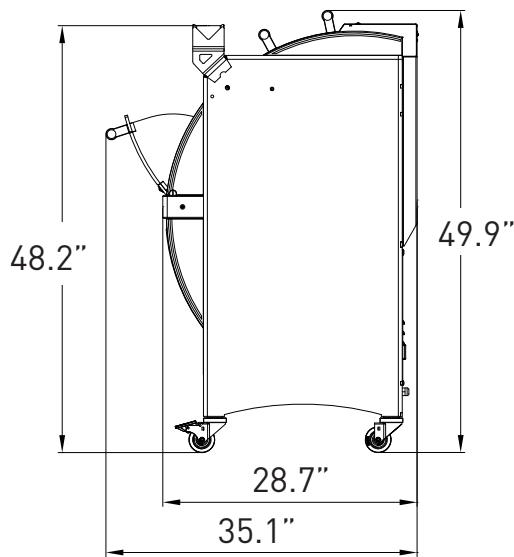




Self-service frame slicer

NEW SELF

- ✓ Customer Self service slicer
- ✓ Over 700 installed nationwide
- ✓ Floor standing: will not topple over like top heavy stand mounted slicers
- ✓ Automatic start when safety cover is closed no pushing buttons
- ✓ Large heavy duty crumb tray with ergonomic soft close door
- ✓ 5 year parts warranty



Traditionally Innovative

www.jac-machines.com

office@jac-machines.com



Intelligent Slicing Concept (JAC patent)

Continuous automatic control system that slices loaves according to their consistency. This allows open textured, crusty and dense breads to be sliced with equal efficiency.



JAC FIX

Holds the loaf together for easier handling at the exit of the slicer.



Front safety cover

Locked during the slicing process for maximum safety.



Removable crumb collector

Completely safe. Accessible by tilting the front door. 6.6 gallons capacity.



Rear safety cover

Closing it initiates the slicing process and it remains mechanically and electrically locked during cutting.

FEATURES		NEW SELF 450
Max. loaf dimensions in cm (L x W x H)		17.3" x 12.2" x 6.3"
Motor power in kW		0.49
Type of motor		1ph/120V/60Hz/7.3A
Net weight in lbs		462
JAC FIX		•

CHOICES	
Slice thickness options	from 3/8" to 1 1/4"