



The Signature of Quality

FEDERAL INDUSTRIES

A Standex Company

215 Federal Avenue  
Belleville, Wisconsin 53508-9201

Phone: 800-356-4206

Fax: 608-424-3234

Email: Geninfo@Federalind.com

Website: Federalind.com

Project Name: \_\_\_\_\_

Item #: \_\_\_\_\_

Model #: \_\_\_\_\_ Qty: \_\_\_\_\_

Approval: \_\_\_\_\_

AIA #

SIS #

VISION SERIES - Square End Self-Serve Refrigerated Case - 60"

Designed with impulse sales in mind. Get maximum return from an attention-grabbing merchandiser and increase profits.



Model VRSS4878S  
Shown with Options

MODEL	DIMENSIONS (Includes End Panels)
<input type="checkbox"/> VRSS3660S	36 x 33 x 60 (in) 914 x 838 x 1524 (mm)
<input type="checkbox"/> VRSS4860S	47.25 x 33 x 60 (in) 1200 x 838 x 1524 (mm)
<input type="checkbox"/> VRSS6060S	59.25 x 33x 60 (in) 1505 x 838 x 1524 (mm)
<input type="checkbox"/> VRSS7260S	71.25 x 33x 60 (in) 1810 x 838 x 1524 (mm)

STANDARD FEATURES

Model Features

- Black interior including shelves
- Stainless steel display deck
- Tempered glass ends
- Black powder coated base frame
- Moisture resistant end panel construction
- Choice of standard colors on lower millwork panel
- Black trim
- Adjustable leg levelers
- Cord & 90 degree plug, self-contained only
- Front air intake / front discharge
- Energy saving night curtain
- Matches profile of the VRSS & VHSS models

Refrigeration

- R290 refrigerant
- Electronic temperature control maintains 38°-40°F (3.3°-4.4°C) Note: Case temperatures will vary if the air curtain is disrupted.
- Digital thermometer
- Clear coil on demand defrost
- Coated evaporator coil

Shelving

- Two tiers of adjustable black metal shelves with black price tag molding
- Shelves can be flat or slanted down at 10°

Lighting

- 3500K LED top light

Agency Approvals

- UL, C-UL and UL Sanitation listed to NSF-7, Type I conditions
- DOE 2017 compliant

OPTIONAL ACCESSORIES

- 3500K LED lights below shelves
- White interior (including shelves)
- Stainless steel interior (including shelves)
- Stainless steel or glass shelves in lieu of black
- Deli meat pegs
- Additional lighted 3500K LED shelf
- Field Install - High-capacity condensate evaporator assembly - Separate (1500W 120V, 15 AMP circuit required)
- Condensate evaporator assembly (field install) (separate 120V, 20A circuit required) (remote only)
- Remote refrigeration with condensate pump (EEV included)
- Self-cleaning condenser
- Rear air intake / rear discharge
- Stainless steel exterior finish
- Graphics package
- Solid end panels (mirrored interior)
- Reflective end glass
- Clear or reflective glass, sliding rear doors (Solid hinged on 36" cases)
- 6" legs (152mm)
- Seismic legs
- Skirt w/4" casters or legs
- 2 1/2" (63.5mm) recessed or 4" (101.6mm) casters (self-contained models only) (Weight limits may apply)
- Joining kit for continuous line-ups (not available with casters)
- Front wire display basket
- Front cart bumper
- Roll-Down locking security cover (black, white, or gray) Stand alone models only
- Black polycarbonate removable locking security cover

\*Additional options available on the website and price list.



WARRANTY\*  
One year Parts and Labor  
2nd thru 5th year part only  
service compressor  
(U.S.A. and Canada)

Note: Information is subject  
to change at any time. Visit  
www.federalind.com for the  
most current specs.

AIA #	<b>VISION SERIES - Square End Self-Serve Refrigerated Case - 60"</b>
SIS #	<b>Product Specifications</b>

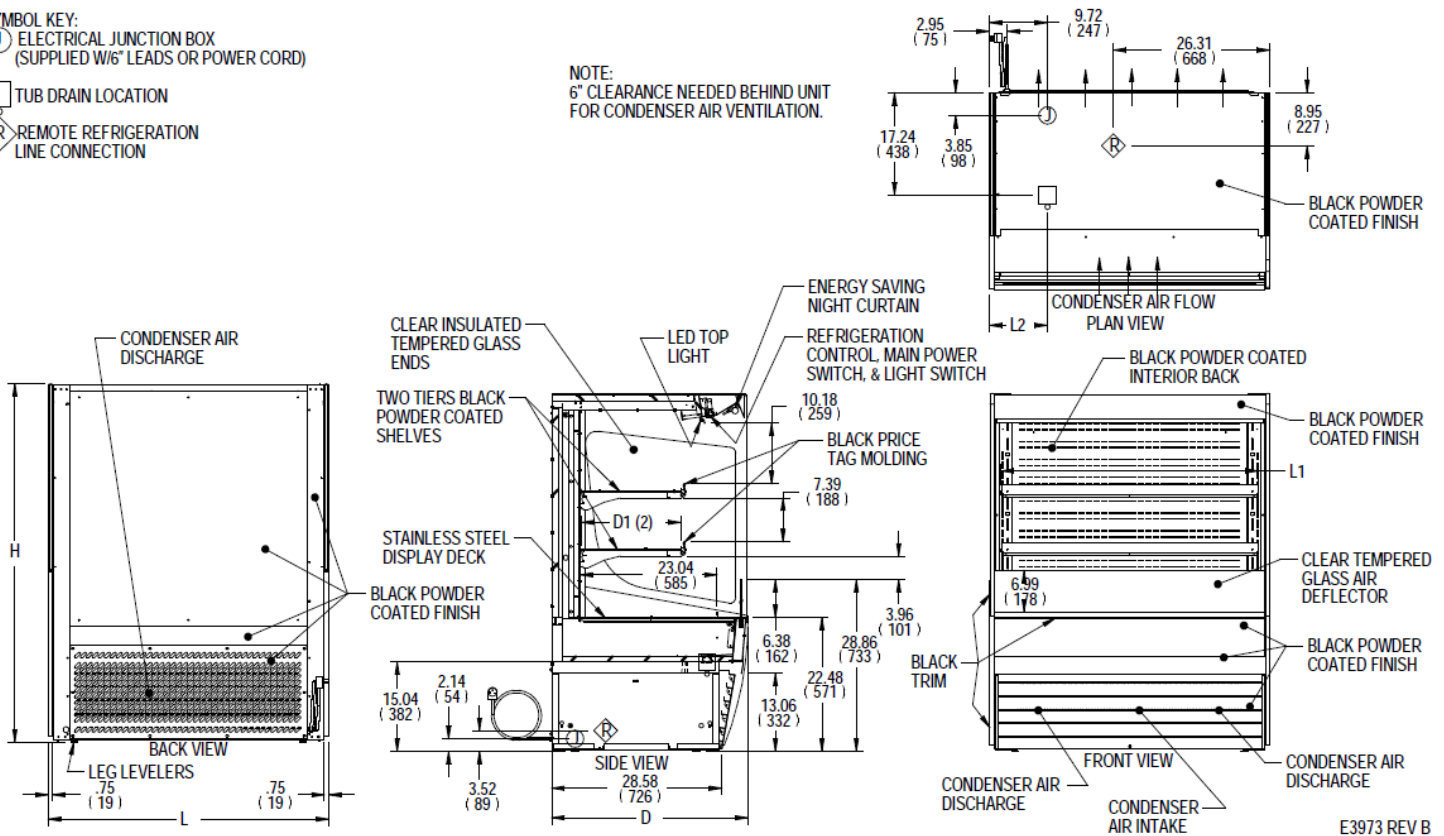
Intended Environment: Type I - Designed to operate in maximum ambient conditions of 75°F (24°C) and 55% relative humidity		
<b>Zone</b>	<b>Intended Product To Be Displayed</b>	<b>Avg Prod Temp °F/°C</b>
All	Packaged Refrigerated Products	38°F / (3.3°C)

**DIMENSION: xx"/(mm)**  
**DIMENSION TOLERANCE +/- 0.25 (6.4)**

SYMBOL KEY:

- SYMBOL KEY:
- J ELECTRICAL JUNCTION BOX (SUPPLIED W/6" LEADS OR POWER CORD)
  - TUB DRAIN LOCATION
  - R REMOTE REFRIGERATION LINE CONNECTION

NOTE:  
6" CLEARANCE NEEDED BEHIND UNIT FOR CONDENSER AIR VENTILATION.



MODEL	DIMENSIONS			TUB DRAIN	SHELVING		INTERIOR VOLUME CU FT	ELECTRICAL 2 WIRE + GROUND	STANDARD CONNECTION CORD & PLUG			REFRIGERANT	CONDENSATE REMOVAL	SHIP WEIGHT LBS KILO	PERMANENT CONNECT		REMOTE		SHIP WEIGHT LBS KILO		
	L	D	H	L2	# OF TIERS	L1			D1	AMPS	MAX FUSE SIZE				NEMA CORD &	AMPS	MAX FUSE	REFRIGERANT		BTU'S @ +20°	CONDENSATE REMOVAL
	in	in	in	in		in			in												
	mm	mm	mm	mm	mm	mm			mm												
VRSS3660S	36	33	60	6.74	2	32.25	16.634	13.98	120/60/1	16	20	NEMA 5-20P	R290	INTEGRATED PAN	535	2.5	15	R449A	6,720	PUMP	490
	914	838	1524	171		819	423														
VRSS4860S	47.25	33	60	13.49	2	43.25	16.634	18.48	208-240/60/1	11	15	NEMA 6-15P	R290	INTEGRATED PAN	620	3.0	15	R449A	9,580	PUMP	580
	1200	838	1524	343		1099	423														
VRSS6060S	59.25	33	60	14.12	2	55.25	16.634	23.39	208-240/60/1	16	20	NEMA 6-20P	R290	INTEGRATED PAN	755	3.5	15	R449A	11,200	PUMP	710
	1505	838	1524	359		1403	423														
VRSS7260S	71.25	33	60	20.12	2	67.25	16.634	28.30	208-240/60/1	16	20	NEMA 6-20P	R290	INTEGRATED PAN	845	3.5	15	R449A	12,300	PUMP	800
	1810	838	1524	511		1708	423														

- Due to continuing engineering improvements, specifications are subject to change without notice
- Case temperature will vary if the air curtain is disrupted.



**FEDERAL INDUSTRIES**  
 A Standex Company  
 215 Federal Avenue Belleville, Wisconsin 53508-9201

**Phone:** 800-356-4206  
**Fax:** 608-424-3234  
**Email:** Geninfo@Federalind.com  
**Website:** Federalind.com