



PRODUCT SPECIFICATIONS SHEETS HORIZONTAL BEER FROSTERS



FROSTER-B-25-HC

Height 33.63"
Length 26.00"
Depth 27.25"



FROSTER-B-50-HC

Height 33.63"
Length 51.25"
Depth 27.25"



FROSTER-B-65-HC

Height 33.63"
Length 66.25"
Depth 27.25"

FEATURES

- Cabinet made of galvanized steel, internally reinforced to support the full weight of the beer bottles
- Full color decals to attract consumers at the point of sale
- Available with black exterior - no decals
- Top and sliding doors constructed of stainless steel
- UL Classified to ANSI/NSF 7
- Forced air evaporator for rapid temperature "Pull Down"



MODEL NO. NUMBER	DESCRIPTION	VOLTAGE	AMPS	TEMP	HP	EST. SHIP WEIGHT
FROSTER-B-25-HC	1 DOOR/135 BOTTLES	115/60HZ/1	2.2	23° F - 33° F	1/5	178#
FROSTER-B-50-HC	2 DOOR/402 BOTTLES	115/60HZ/1	3.1	23° F - 33° F	1/3	284#
FROSTER-B-65-HC	3 DOOR/511 BOTTLES	115/60HZ/1	9.2	23° F - 33° F	1/2	348#

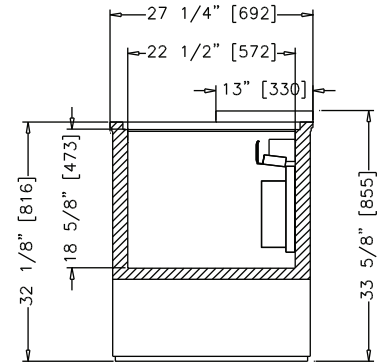
A Division of HMC Enterprises LLC • 831 East Cayuga St • Philadelphia, PA 19124 USA

(215) 464-6800 • 1-800-344-8222 • Fax (215) 969-4890 • E-Mail: sales@fogelusa.com • www.fogelusa.com

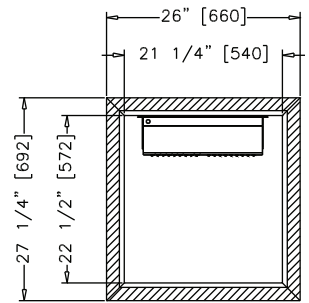
TECHNICAL DATA / HORIZONTAL BEER FROSTERS

MODEL #	FROSTER-B-25-HC	FROSTER-B-50-HC	FROSTER-B-65-HC
OUTSIDE DIMENSIONS			
DEPTH	27.25"	27.25"	27.25"
LENGTH	26.00"	51.25"	66.25"
HEIGHT	33.63"	33.63"	33.63"
DOOR SIZE	22.312" X 13.375"	(1) 30.5" X 13.375" (1) 16.85" X 13.375"	(2) 22.625" X 13.375" (1) 16.85" X 13.375"
DOOR TYPE	1 SLIDING	2 SLIDING	3 SLIDING
INSIDE DIMENSIONS			
DEPTH	22.50"	22.50"	22.50"
LENGTH	21.25"	46.50"	61.50"
HEIGHT	22.50"	22.50"	22.50"
# OF 12OZ BOTTLES	135	336	480
DIVIDERS INCLUDED	0	2	2
CAPACITY: CUBIC FOOT	5	15	21
SPECIFICATIONS			
OPERATING TEMPERATURE	23°F-33°F	23°F-33°F	23°F-33°F
COMPRESSOR SIZE HP	1/5	1/3	1/2
DEFROST	3 @ 30 MIN.	3 @ 30 MIN.	3 @ 30 MIN.
VOLTAGE	115V/60HZ/1	115V/60HZ/1	115V/60HZ/1
AMPERAGE	2.2	3.1	9.2
CORD AND PLUG	YES	YES	YES
SHIPPING DIMENSIONS			
DEPTH	31.00"	31.00"	31.00"
LENGTH	31.00"	56.00"	71.00"
HEIGHT	40.00"	40.00"	40.00"
GROSS WEIGHT LBS.	178	284	348
CUBIC FEET	22	40	51

FROSTER-B-25-HC

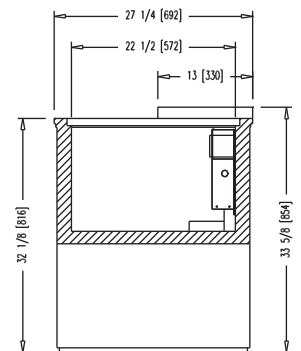


Side View

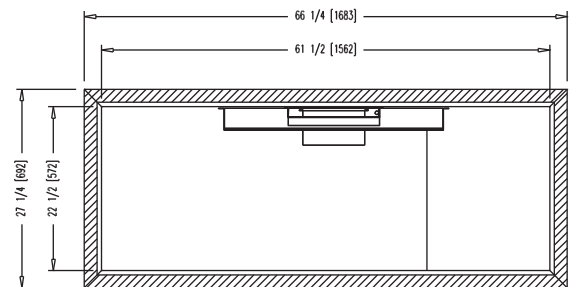


Plan View

FROSTER-B-65-HC

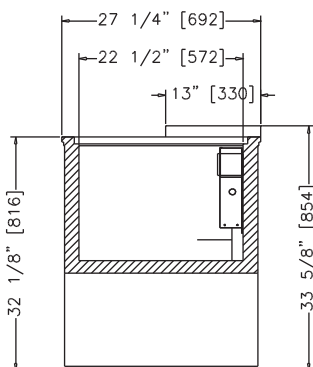


Side View

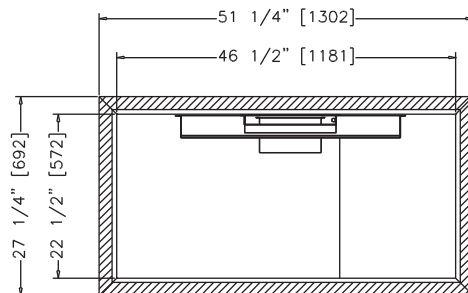


Plan View

- Cases are designed to operate at 75°F and 55% relative humidity.
- Specification subject to change without notice.



FROSTER-B-50-HC



A Division of HMC Enterprises LLC • 831 East Cayuga St • Philadelphia, PA 19124 USA

(215) 464-6800 • 1-800-344-8222 • Fax (215) 969-4890 • E-Mail: sales@howardmccray.com • www.howardmccray.com