



# BEVERAGE-AIR

Project: _____	AIA#
Item: _____	
Location: _____	SIS#
Approved: _____	

MMR23HC GLASS DOOR MERCHANDISER SERIES - WINE

## MARKETMAX® BOTTOM MOUNT WINE REFRIGERATOR

MODEL:  
MMR23HC-1-W-WINE

MMR23HC White Hinged Glass Door  
Hydrocarbon Series



**7 Year Parts/Labor Warranty**  
**7 Year Compressor Warranty**

### CABINET CONSTRUCTION

- Exterior features durable white painted steel
- Heavy-duty interior construction includes white coated steel walls
- Modern one-piece grille
- Full electronic control
- Door lock
- Refrigerators have double pane lowE argon filled glass door
- Self-closing door with 120° stay-open feature
- Snap-in gaskets, easy to remove for cleaning or replacement
- LED lighting
- Brightly lit sign panel
- Five (5) heavy-duty epoxy coated wire shelves
- Four (4) shelf clips included per shelf
- Self-contained bottom mount refrigeration system
- Leveling feet standard

### OPTIONS & ACCESSORIES

- Stainless steel or black exterior
- Stainless steel or black interior
- Wine rack upgrades: flat and curved (see page 3 for options)
- Additional shelves
- Shelf clips
- 3" or 6" Casters
- 6" Legs or seismic/flanged legs
- Electronic door lock (must be ordered at time of unit order)
- Custom wine signage (see page 3 for options)
- Left and right hand door swing (at time of order)
- Remote option\* (see note on back on page)

### REFRIGERATION SYSTEM

- Uses environmentally friendly, energy efficient R290 refrigerant, and meets all regulatory requirements for CARB, SNAP, DOE & more
- Non-electric defrost with hot gas condensate evaporation
- Epoxy coated evaporator coil
- Maintains product temperatures between 35°F to 62°F



Please verify qualifying units by visiting:  
[www.energystar.gov/cfs](http://www.energystar.gov/cfs)

3779 Champion Blvd., Winston-Salem, NC 27105  
1-888-845-9800 Fax: 1-336-245-6453  
Beverage-Air.com Sales@bevair.com



# BEVERAGE-AIR®

MODEL	MMR23HC-1-W-WINE
<b>EXTERNAL DIMENSIONAL DATA</b>	
Width Overall	27 ¼"
Depth Overall (with handle)	33 ½"
Height Overall	78 ⅞"
Number of Doors	1
Depth with Door Open 90°	57 ¾"
Door Opening (in)	24 ⅛" x 52 ¾"
<b>INTERNAL DIMENSIONAL DATA</b>	
NET Capacity (cubic ft.)	23.32
Internal Width Overall (in)	24 ¼"
Internal Depth Overall (in)	28 ½"
Internal Height Max (in)	61 ¾"
Internal Height Usable (in)	55"
No. of Shelves	5
<b>ELECTRICAL DATA</b>	
Full Load Amperes	2.88
Voltage	115/60/1
Nema Plug (8' cord)	5-15P
<b>REFRIGERATION DATA</b>	
Horsepower	1/4
Capacity (BTU/Hr)	1702
Heat Rejection (BTU/Hr)	2553
Charge (lbs/grams/ounce)	0.1985 / 90 / 3.18
<b>SHIPPING DATA</b>	
Gross Weight (crated lbs)	366 lbs
Height - Crated	84"
Width - Crated	31"
Depth - Crated	37"

\*NOTE: Remote units are field wired and come with 6" legs.  
Refrigerant must be specified at time of order.

We reserve the right to change specifications and product design without notice. Such revisions do not entitle the buyer to corresponding changes, improvements, additions or replacements for previously purchased equipment. Dimensional tolerances +/- 1/4". Metric dimensions (MM).

## Bottom Mount Reach-In Glass Door Wine Refrigerator Model: MMR23HC-1-W-WINE

**Model Views**

Required Clearance: Rear 3"

27 ¼" OVERALL WIDTH  
24 ¼" INTERNAL WIDTH  
57 ⅜" MAX DEPTH (DOOR OPEN)

**PLAN VIEW**

24 ⅛" DOOR OPENING  
78 ⅞" OVERALL HEIGHT

**ELEVATION VIEW**

33 ½" OVERALL DEPTH  
28 ½" INTERNAL DEPTH  
52 ¾" DOOR OPENING  
55" INTERNAL USABLE HEIGHT  
61 ¾" MAX INTERNAL HEIGHT

**SIDE VIEW**

### ELECTRICAL CONNECTION



115/60/1  
NEMA 5-15P

Unit pre-wired at factory and include 8' long cord and plug set.





**BEVERAGE-AIR®**

## WINE OPTION UPGRADES

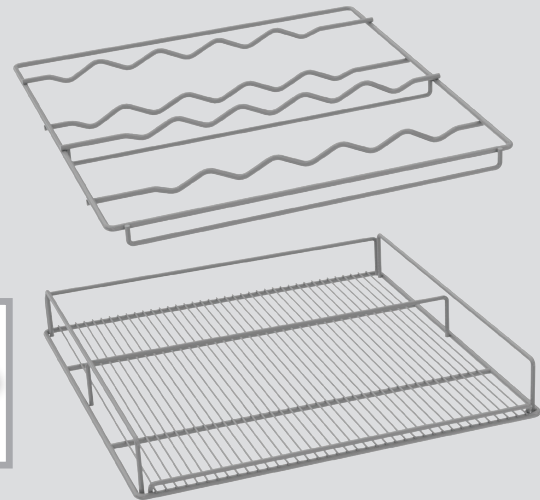
### SIGNAGE

Two wine header panels to choose from to call attention to the wine selection



### SHELVING

We offer curved and flat wine racks, designed to secure the bottles while keeping them prominently on display. Available in white, black, and chrome finish.



### CONTROLLER

Easily programmed to keep unit and its contents at the necessary set point (between 35-62° F)



