



F1FB36 with stainless door and top



**Intertek Intertek**  
 4004503  
 Conforms to NSF/ANSI STD 7 and UL STD 471  
 Certified to CSA STD C22.2 No. 120



Capable of storing specialty cocktail ice

### Standard Features

- Self-contained
- Stainless steel interior
- Locking door(s)
- LED interior lighting
- Two defrost cycles
- Automatic condensate evaporator
- Heated cabinet front to minimize condensation
- Three adjustable, coated-wire shelves

Project: _____	AIA# _____
Item #: _____ Qty: _____	SIS# _____
Model #: _____	

<b>Frosters, One Zone, Front Serviced, Bar Profile</b>	
<b>F1FB</b>	F1FB32, F1FB36

**CONFIGURATION HIGHLIGHTS**

 <b>DOORS IN NINE FINISHES</b>	 <b>DRAWERS IN FIVE FINISHES</b>
---	---

### Configurable Options

- |   |   |
|---|---|
| <p><b>Refrigeration Compartment Location:</b></p> <ul style="list-style-type: none"> <li>• Left or Right</li> </ul> <p><b>Refrigeration Compartment Cover Finish:</b></p> <ul style="list-style-type: none"> <li>• Black vinyl-clad</li> <li>• Stainless steel</li> <li>• Jeweled stainless</li> <li>• Laminated</li> <li>• Unlaminated</li> </ul> <p><b>Door Style &amp; Finish:</b></p> <ul style="list-style-type: none"> <li>• Black vinyl-clad</li> <li>• Stainless steel</li> <li>• Jeweled stainless</li> <li>• Laminated</li> <li>• Unlaminated</li> <li>• Glass, black vinyl-clad</li> <li>• Glass, stainless steel</li> <li>• Glass, jeweled stainless</li> <li>• Glass, laminated</li> </ul> <p><b>Drawer Style &amp; Finish:</b></p> <ul style="list-style-type: none"> <li>• Black vinyl-clad</li> <li>• Stainless steel</li> <li>• Jeweled stainless</li> <li>• Laminated</li> <li>• Unlaminated</li> </ul> | <p><b>Door Hinge Location</b></p> <ul style="list-style-type: none"> <li>• Left or Right</li> </ul> <p><b>Door Handle:</b></p> <ul style="list-style-type: none"> <li>• Signature (drawers excluded)</li> <li>• Pull-tab</li> <li>• Tube</li> </ul> <p><b>Top Style:</b></p> <ul style="list-style-type: none"> <li>• No finished top</li> <li>• Stainless top</li> </ul> <p><b>Left and Right Side Finish:</b></p> <ul style="list-style-type: none"> <li>• Black vinyl-clad</li> <li>• Stainless steel</li> </ul> <p><b>Back Finish:</b></p> <ul style="list-style-type: none"> <li>• Galvanized steel</li> <li>• Stainless steel</li> </ul> <p><b>LED Lighting Style:</b></p> <ul style="list-style-type: none"> <li>• Bright white (7,000k)</li> <li>• Warm white (3,500k)</li> <li>• Amber (2,700k)</li> <li>• Blue</li> </ul> |
|---|---|

<b>Glastender, Inc.</b> • 5400 N Michigan Rd • Saginaw, MI • 48604-9780 989.752.4275 • 800.748.0423 • Fax 989.752.4444 <a href="http://www.glastender.com">www.glastender.com</a>	Approval/Notes:
Specifications subject to change without notice. For current specifications please visit our website.	

# Frosters - One Zone, Front Serviced, Bar Profile

## Specifications

		F1FB32	F1FB36
Dimensions	Length	32"	36"
	Number of Sections	1	1
	Door Opening	16"	20"
Electrical	Electrical Supply	120V, 1 phase, 60 Hz, dedicated 15A circuit required	
	Full Load Amps	6.5	
	Plug Type	8 foot NEMA 5-15P grounded cord and plug which exits the back of refrigeration compartment	
Refrigeration	Refrigerant	R290 refrigerant - 130 grams, 4.59 oz, 0.29 pounds	
	Compressor	Reciprocating, 1/3 HP, 1300 BTUH, 0.11 Tons	
	Heat Rejection	2660 BTUH	
Operating Range		12°F (-11°C) to 35°F (2°C)	
Plumbing		Automatic condensate evaporator. No drain connection required †	
Weight Bearing Capacity		Countertops and other accessories should not exceed 500 pounds per door	

### Materials

- Stainless steel parts include: exterior sub-top, interior, front of cabinet, hinges, hinge and lock brackets, and optional legs
- Black vinyl-clad steel parts include: standard sides, doors and compressor cover
- Galvanized steel parts include: back and bottom

### Refrigeration

- Fin & tube evaporator with forced air circulation
- Equipped with manual fast freeze mode that accelerates the freezing process and automatically reverts back to the normal operating mode



† Building conditions outside the guidelines of ASHRAE 55 and ASHRE 62.1 may need to be plumbed to a drain.

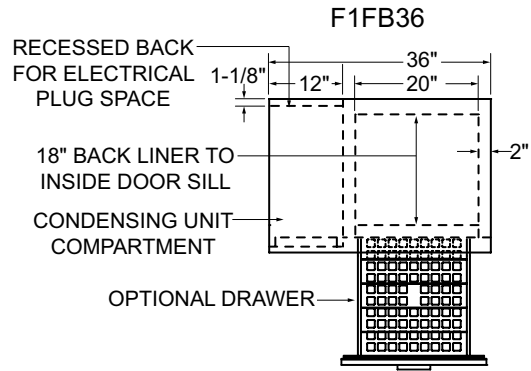
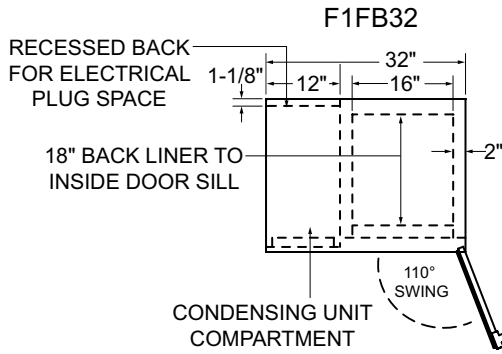
## Capacities

	F1FB32	F1FB36
10 oz. Mugs	120	168
6" High Pint Glasses	96	120

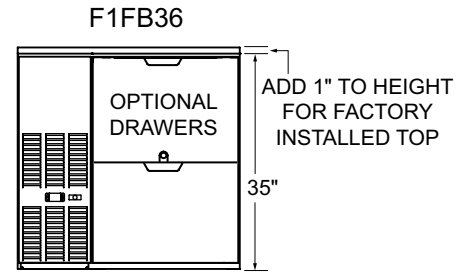
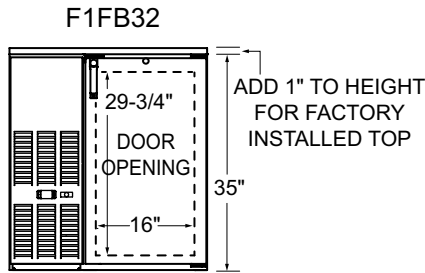
# Frosters - One Zone, Front Serviced, Bar Profile

## Drawings

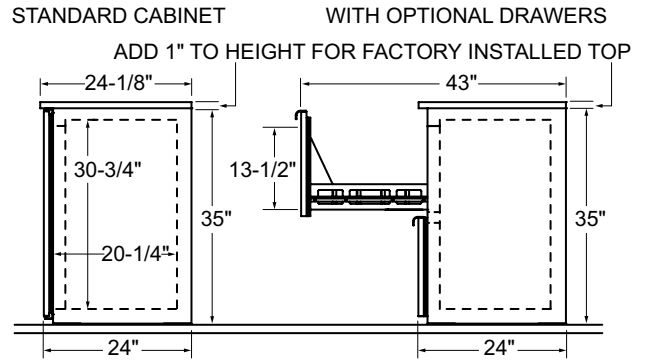
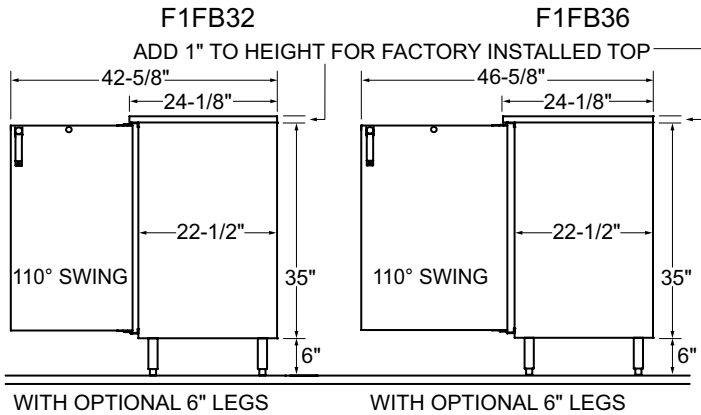
### PLAN VIEWS



### FRONT VIEWS



### SIDE VIEWS



### OPTIONAL LEGS AND CASTERS

