

Stadium Series Storage Cabinets with Dump Sinks

Stadium Series



KRS-SD18C shown

Standard Features

- Additional 5" chase added to back of unit for easy access, install and serviceability
- Cabinet below to store chemicals and cleaning products
- Open access in rear for plumbing
- KRS-SD18C includes trash chute
- Includes dump sink with Royal Series faucet

Specifications

Material

- 20 Gauge stainless steel
- Legs: 16 Gauge Stainless Steel

Plumbing

- Faucet (15-306L): Royal Series 4" Center Deck Mount Faucet with 1.8 GPM aerator (Model ending "-E" includes electronic faucet)
- 1-1/2" Hot & Cold Water
- 1" IPS drain connection

Backsplash

- 6-1/2" high, 1-1/2" deep

Legs

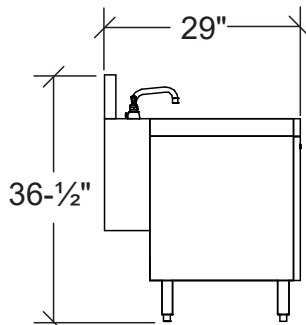
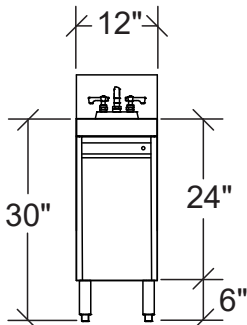
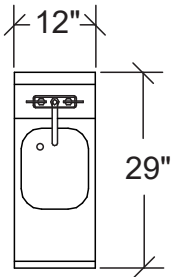
- 1-5/8" tubular legs with grey plastic bullet foot

Dump Sink

- 20 gauge stainless steel w/ 1" center drain
- 7" deep bowl

Model	Description
KRS-SD12C	12" Storage Cabinet with Sink and Door
KRS-SD18C	18" Storage Cabinet with Dump Sink, Faucet and Trash Chute with Door

KRS-SD12C



KRS-SD18C

