

This fully automatic premium class vertical slicer ensures maximum hygiene and productivity thanks to touchless depositing and automatic carriage drive. SmarterSlicing technology simplifies all activities related to sharpening, cleaning and maintenance and thus maximizes service life and performance of the VSP F. An intuitive operating concept with touch screen allows fast workflows at the deli counter also when slicing large quantities.



More information
High performance
with a wide range of
solutions and options.

Product description

Automatic, touch-free depositing of the VSP F ensures maximum hygiene. The depositing system which is entirely made of stainless steel can be dismantled in just a few steps for easy and thorough cleaning. Create an appealing presentation of your sliced product with numerous depositing patterns to choose from. In addition to fully automatic operation, the system also allows semi-automatic or servo-assisted - and thus simplified - manual operation. The VSP F is perfectly suitable for preslicing products for your fresh food counter. Innovative SmarterSlicing functions ensure perfect slicing results every time, as an early warning system will notify you by means of indicators when the VSP F is due for cleaning, sharpening or maintenance. As a result, you also benefit from optimized system availability and a long service life. Fitted with the FoodConnect interface and RetailControl management software, the SmarterSlicing functions can be controlled centrally and data logged - a perfect basis for process optimizations.



Highlights

- Perfect, hygienic portions and stacks also directly onto paper or foil
- High slicing performance at minimal energy consumption due to Emotion® technology
- Innovative blade cover: Intelligent quick-lock system for easy assembly
- Illumination: Optional visual display showing the current device mode
- Manual, semiautomatic and fully automatic operation in one machine
- Integrated comfort package such as servo-supported manual slicing
- SmarterSlicing functions:
 - Cleaning, sharpening and maintenance icon
 - Transparent monitoring and central data management
- Slice thickness fine adjustment between 0-3 mm and indication in the display



Options

- Version with integrated portion scale and slice counter
 - With automatic stop function when the target weight/intended number of slices is reached
 - Easy to configure 7" or 10" touch screen
 - Optimized operating procedure reduces walking distances
- Extended carriage
- Installation via installation bars, feet or lifting device
- Carriage and remnant holder variants
- Wireless connectivity via WLAN

My Bizerba

We offer you solutions from a single source which can be customized and allow you to respond to any change in a flexible manner. Benefit from costs which can be planned and efficient processes. We are happy to advise you.

Bizerba SE & Co. KG
Wilhelm-Kraut-Straße 65
72336 Balingen

Phone: +49 7433 12-0
Fax: +49 7433 12-2696
marketing@bizerba.com

www.bizerba.com

This fully automatic premium class vertical slicer ensures maximum hygiene and productivity thanks to touchless depositing and automatic carriage drive. SmarterSlicing technology simplifies all activities related to sharpening, cleaning and maintenance and thus maximizes service life and performance of the VSP F. An intuitive operating concept with touch screen allows fast workflows at the deli counter also when slicing large quantities.



More information
High performance
with a wide range of
solutions and options.

Specifications	Facts	Details
Dimensions		
Outer dimensions L x W x H	627 x 711 x 551 mm	7", standard
	627 x 815 x 627 mm	10", model with portion scale
Footprint L1 x W1	516 x 433 mm	7", standard
	423 x 412 mm	10", model with portion scale
Work area L2 x W2 x H2	680 x 826 x 551 mm	7", standard
	746 x 885 x 627 mm	10", model with portion scale
Electrical data		
Power consumption	100-120 V; 50/60 Hz; 1.9-2.3 A	1-phase alternating current with Emotion®
	220-240 V; 50/60 Hz; 1.0 A	1-phase alternating current with Emotion®
IP rating	IP33	
Performance data		
Product size		
Quadratic W x H	240 x 175 mm	With depositing system
Round Ø	180 mm	
Quadratic W x H	260 x 175 mm	Without depositing system
Round Ø	225 mm	
Blade Ø	330 mm	
Blade speed	160-300 rpm	Adjustable via HMI
Blade alignment	0° inclination	
Slice thickness	0-24 mm	Without depositing system
	0.5-8 mm	With depositing system
	0-3 mm	Fine adjustment
Slicing performance	Depending on depositing type and product	
Carriage angle	0°	
Housing material	Anodized aluminum Stainless steel Plastics	
Weight		
Machine weight	approx. 75 kg	
Packaging data		
Dimensions L x W x H	860 x 830 x 780 mm	
Packaging weight	approx. 95 kg	

Options**Facts****Details**Integrated portion
scale

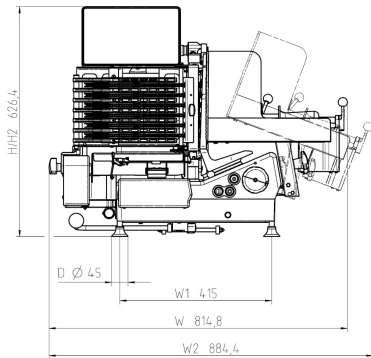
0-3,000 g

Weighing range

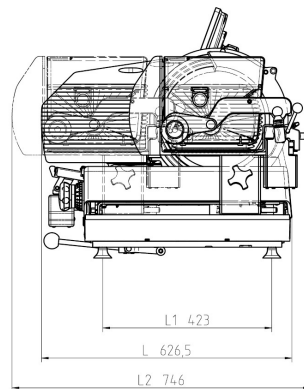
2 g

Interval

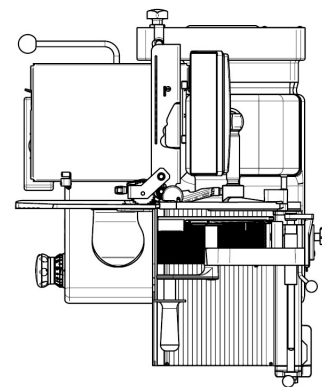
Info graphics

Symbols**Dimensional drawings**

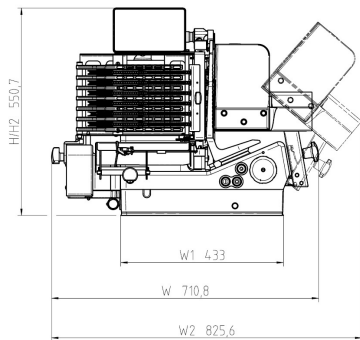
VSP F 10" display front view



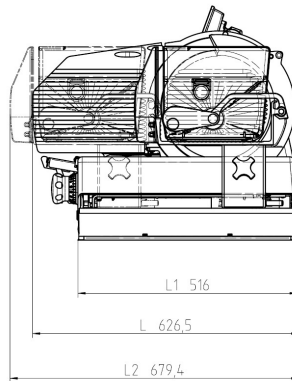
VSP F 10" display side view



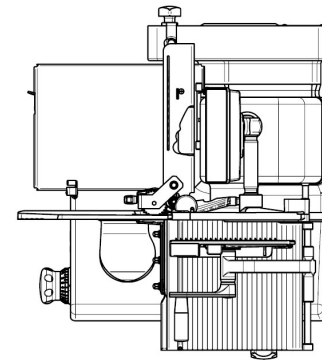
VSP F 10" display top view



VSP F 7" display front view



VSP F 7" display side view

VSP F 7" display top view

Bizerba SE & Co. KGWilhelm-Kraut-Straße 65
72336 BalingenPhone: +49 7433 12-0
Fax: +49 7433 12-2696
marketing@bizerba.comwww.bizerba.com