

Equipment Stands (30 Inch Series)

Standard Features

- Stainless steel construction including the top, undershelf, hat channel, legs and sockets
- Ships KD
- Tools are included for easy assembly
- Adjustable undershelf and bullet feet provide additional storage space, as well as optimum stability
- Safety hemmed edge around the sides and back comes standard to keep equipment and other contents from sliding off
- Added H-shape reinforced rib underneath the top surface makes it able to support more evenly distributed weight

MODELS:

SE3024ECR2 / SE3036ECR2 / SE3048ECR2



90 DAYS WARRANTY ON WORKMANSHIP

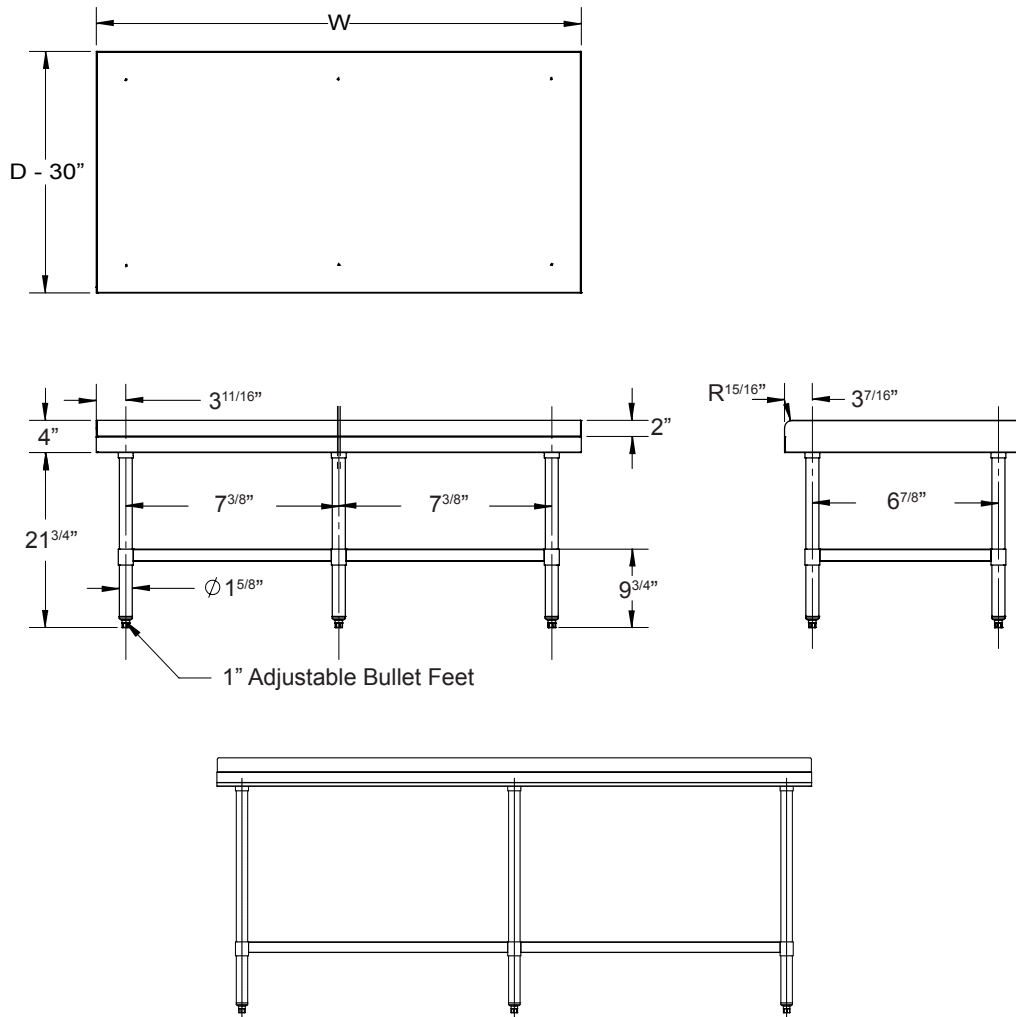


REV. 07/25

SPECIFICATIONS

Model	Legs	Ga.	Exterior Dimensions (WxDxH) (inch)
SE3024ECR2	4	18	24 ^{1/4} × 30 × 25 ^{3/4}
SE3036ECR2	4	18	36 ^{1/4} × 30 × 25 ^{3/4}
SE3048ECR2	4	18	48 ^{1/4} × 30 × 25 ^{3/4}

PLAN VIEW



60" And Longer Come With 6 Legs