



SPEC SHEET

KoolMore 27 in. Commercial One Door Convertible Refrigerator/Freezer with 23 Cu. Ft. Capacity in Stainless Steel

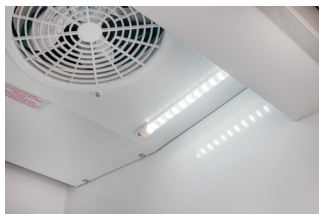
Model: KM-RIC-1DSS

FEATURES

- Versatile 2-in-1 design effortlessly converts from refrigerator to freezer.
- Spacious 23 cu. ft. capacity provides ample storage space.
- Robust stainless steel construction ensures durability and longevity.
- Solid door ensures security and insulation for consistent temperatures.
- Self-closing feature enhances energy efficiency.
- Adjustable shelves offer customizable storage options.
- Bright LED lighting illuminates the interior for easy access.
- ETL listed for compliance with safety and sanitation standards.
- Digital temperature display allows for precise monitoring and adjustments.



CLOSE UP IMAGES



TECHNICAL SPECS

Dimensions

Length	33.74
Width	26.77
Height	82.28
Interior Depth	27.56
Interior Width	22.2
Interior Height	59.37
Weightlbs	310
Depth Excluding Handles	32.68
Depth Less Door	29.92
Depth With Door Open 90 Degrees	57.68
Height To Top Of Door Hinge In	73.03
Depth Including Handles	32.68
Height To Top Of Case In	82.28
Power Cord Length	110
Minimum Side Air Clearance In	2 in.
Minimum Back Air Clearance In	2 in.

Capacity

Gross Cubic Feet	23
Net Cubic Feet	18.2
Individual Shelf Capacity	50 lbs.

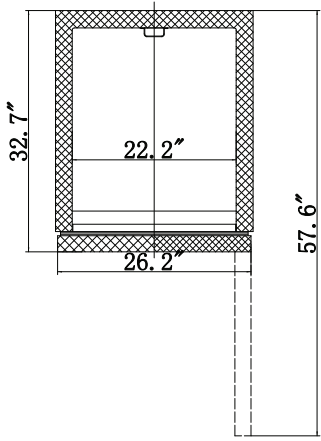
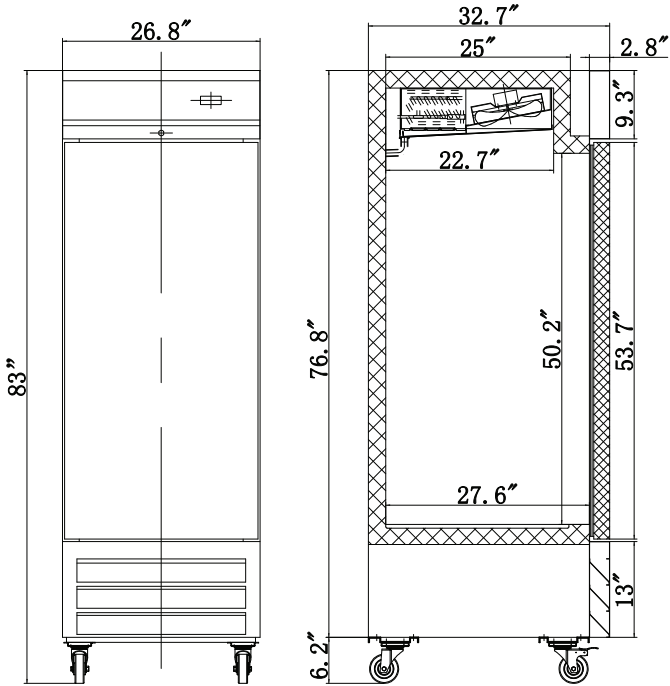
Features & Materials

Shelves Adjustable	Yes
Temperature Range	34-38 F/ -10--7 F
Ambient Temperature Range	100 F
Defrost Type	Automatic
Refrigerant Type	R-290
Cooling Unit Type	Automatic
Number Of Shelves	4
Shabbos Mode	No
Interior Lights	LED
Temperature Control Type	DIGITAL
Control Type	Digital
Noise	55dB
Conversion Time Refrigerator To Freezer	5 hrs.
Conversion Time Freezer To Refrigerator	5 hrs.
Door Material	Stainless-Steel
Interior Material	Painted Aluminum
Exterior Material	Stainless-Steel
Interior Cabinet Insulation	Polyurethane
Number Of Doors	1
Door Style	Swing
Reversible Door S	Yes
Color Finish	Stainless-Steel
Anti Condensation Glass Heating Strips	

Electric & Certification

Horsepower	0.5
Amps	8
Hertz	60
Phase	1
Voltage	115
Wattage	550
Plug Type	NEMA 5-15P
Certifications	ETL Listed for Safety and Sanitation

Plan View



CERTIFICATIONS





718-576-6342
info@koolmore.com