

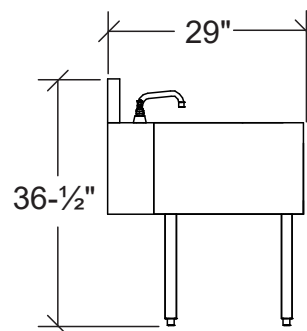
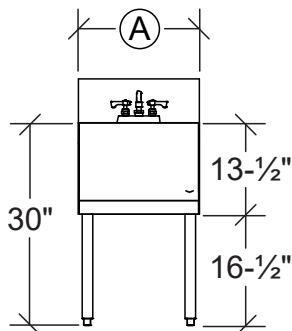
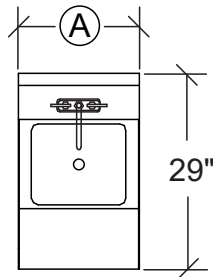
## Stadium Series Cutting Board Speed Sinks

Stadium Series



\*KRS-MC18 shown\*

Model	Length (A)	Depth	Wgt. (lbs)
KRS-MC12	12"	29"	61
KRS-MC18	18"	29"	68



### Standard Features

- Additional 5" chase added to back of unit for easy access, install and serviceability
- Non-slip flush mounted cutting board
- 10"W x 12"H x 7"D sink bowl
- 4" center deck mount Royal Series faucet with 1/4 turn ceramic cartridge valves

### Specifications

- Interior: 20 gauge stainless steel
  - Front Apron: 20 gauge stainless steel
  - Sides: 20 gauge stainless steel
  - Backsplash: 20 gauge stainless steel
  - Back: 20 gauge galvanized steel (also available in stainless steel)
  - Bottom: 20 gauge galvanized steel (also available in stainless steel)
- 
- Material**
- 1-5/8" tubular 16 gauge stainless steel with gray plastic bullet foot
- 
- Legs**
- 1/2" IPS Hot & Cold Water, 4" on Center Faucet
- 
- Plumbing**
- 1/2" IPS Cold, Glass Rinser
  - 1-1/2" IPS Drain, Sink bowl