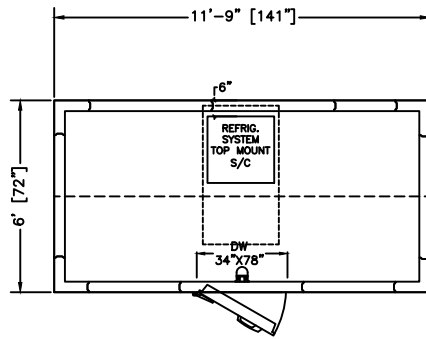
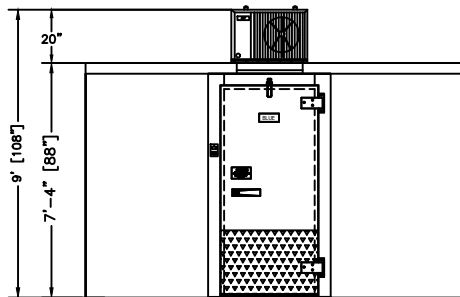


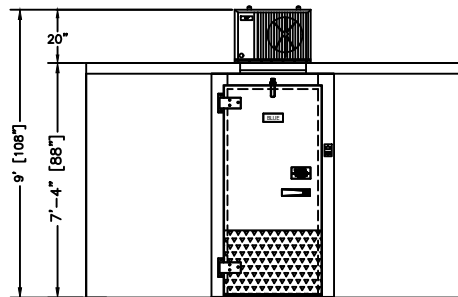
**PLAN VIEW**  
RIGHT HINGE  
SELECT



**PLAN VIEW**  
LEFT HINGE  
SELECT

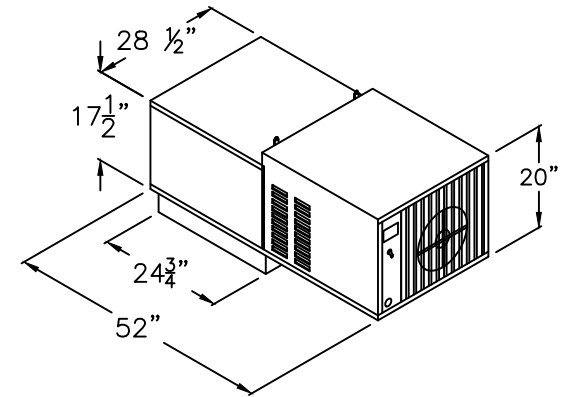
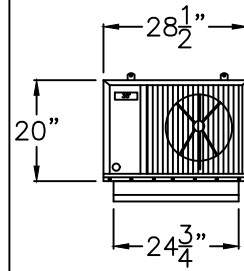


**ELEVATION**  
RIGHT HINGE



**ELEVATION**  
LEFT HINGE

**REFRIGERATION UNIT**



IMPORTANT: ALLOW 2 FEET CLEARANCE ABOVE UNIT  
DO NOT STORE OBJECTS IN FRONT OR THE SIDES OF THE UNIT.  
FOLLOW OEM'S CLEARANCE GUIDELINES TO ENSURE PROPER OPERATION

**REFRIGERATION DESIGN SPECIFICATIONS**

WALK-IN AMBIENT TEMP:	90°F
CONDENSER AMBIENT TEMP:	95°F
PULLDOWN:	24 Hours
HOLDING TEMP:	35°F
OPENINGS PER HOUR:	2

**PRODUCT SPECIFICATIONS**

MODEL:	BL126-C-SC
<b>WALK-IN SPECIFICATIONS</b>	
INTERIOR/EXTERIOR FINISH	26 GAUGE MILL EMBOSSED ACRYLUME OR 26 GAUGE STUCCO EMBOSSED GALVANIZED STEEL
ELECTRICAL (VOLTS/Hz/PH)	115/60/1
MAX AMP.	0.8

**REFRIGERATION SYSTEM SPECIFICATIONS**

ELECTRICAL (VOLTS/Hz/PH)	208/230/1/60
AMPS	8
WEIGHT (LBS)	215
MATCHING NEMA RECEPTACLE	6-15R

**WALK-IN AND REFRIGERATION FREIGHT**

TOTAL SHIPPING WEIGHT (LBS)	1225
MAXIMUM PALLET SIZE	48" X 96" X 102" HIGH
NUMBERS OF PALLETS	1

MODEL: BL126-C-SC

INDOOR-NO FLOOR

COOLER 35°F

SELF-CONTAINED SYSTEM

CUSTOMER APPROVAL

DATE: \_\_\_\_\_

SIGNATURE: \_\_\_\_\_

**CONFIDENTIAL**

THE DRAWINGS, TECHNICAL DATA, AND ALL OTHER INFORMATION SET FORTH IN THIS DOCUMENT COMPRISE TRADE SECRETS AND CONFIDENTIAL INFORMATION THAT IS THE EXCLUSIVE PROPERTY OF ARCTIC INDUSTRIES, LLC.

USE OF SUCH INFORMATION IS LIMITED TO THE PURPOSE FOR WHICH IT WAS PROVIDED AND NO RECIPIENT IS PERMITTED TO USE, COPY, OR DISCLOSE SUCH INFORMATION EXCEPT AS EXPRESSLY AUTHORIZED BY ARCTIC INDUSTRIES, LLC.