



The Signature of Quality®

**FEDERAL INDUSTRIES**

A Standex Company

215 Federal Avenue  
Belleville, Wisconsin 53508-9201

Phone: 800-356-4206

Fax: 608-424-3234

Email: Geninfo@Federalind.com

Website: Federalind.com

Project Name: \_\_\_\_\_

Item #: \_\_\_\_\_

Model #: \_\_\_\_\_ Qty: \_\_\_\_\_

Approval: \_\_\_\_\_

AIA #

SIS #

**VISION SERIES - Square End Self-Serve Refrigerated Case - 60"**

Designed with impulse sales in mind. Get maximum return from an attention-grabbing merchandiser and increase profits.



Model VRSS4878S  
Shown with Options

| MODEL                              | DIMENSIONS<br>(Includes End Panels)            |
|------------------------------------|--|
| <input type="checkbox"/> VRSS3660S | 36 x 33 x 60 (in)<br>914 x 838 x 1524 (mm)     |
| <input type="checkbox"/> VRSS4860S | 47.25 x 33 x 60 (in)<br>1200 x 838 x 1524 (mm) |
| <input type="checkbox"/> VRSS6060S | 59.25 x 33x 60 (in)<br>1505 x 838 x 1524 (mm)  |
| <input type="checkbox"/> VRSS7260S | 71.25 x 33x 60 (in)<br>1810 x 838 x 1524 (mm)  |

**STANDARD FEATURES**

**Model Features**

- Black interior including shelves
- Stainless steel display deck
- Tempered glass ends
- Black powder coated base frame
- Moisture resistant end panel construction
- Choice of standard colors on lower millwork panel
- Black trim
- Adjustable leg levelers
- Cord & plug, self-contained only
- Front air intake / front discharge
- Energy saving night curtain
- Matches profile of the VRSS & VHSS models

**Refrigeration**

- R290 refrigerant
- Electronic temperature control maintains 38°-40°F (3.3°-4.4°C) Note: Case temperatures will vary if the air curtain is disrupted.
- Digital thermometer
- Clear coil on demand defrost
- Coated evaporator coil

**Shelving**

- Two tiers of adjustable black metal shelves with black price tag molding
- Shelves can be flat or slanted down at 10°

**Lighting**

- 3500K LED top light

**Agency Approvals**

- UL, C-UL and UL Sanitation listed to NSF-7, Type I conditions
- DOE 2017 compliant

**OPTIONAL ACCESSORIES**

- 3500K LED lights below shelves
- White interior (including shelves)
- Stainless steel interior (including shelves)
- Stainless steel or glass shelves in lieu of black
- Deli meat pegs
- Additional lighted 3500K LED shelf
- Field Install - High-capacity condensate evaporator assembly - Separate (1500W 120V, 15 AMP circuit required)
- Condensate evaporator assembly (field install) (separate 120V, 20A circuit required) (remote only)
- Remote refrigeration with condensate pump (EEV included)
- Self-cleaning condenser
- Rear air intake / rear discharge
- Stainless steel exterior finish
- Graphics package
- Solid end panels (mirrored interior)
- Reflective end glass
- Clear or reflective glass, sliding rear doors (Solid hinged on 36" cases)
- 6" legs (152mm)
- Seismic legs
- Skirt w/4" casters or legs
- 2 1/2" (63.5mm) recessed or 4" (101.6mm) casters (self-contained models only) (Weight limits may apply)
- Joining kit for continuous line-ups (not available with casters)
- Front wire display basket
- Front cart bumper
- Roll-Down locking security cover (black, white, or gray) Stand alone models only
- Black polycarbonate removable locking security cover

\*Additional options available on the website and price list.



**WARRANTY\***  
One year Parts and Labor  
2nd thru 5th year part only  
service compressor  
(U.S.A. and Canada)

**Note: Information is subject to change at any time. Visit [www.federalind.com](http://www.federalind.com) for the most current specs.**

|       |  |
|-------|--|
| AIA # | <b>VISION SERIES - Square End Self-Serve Refrigerated Case - 60"</b> |
| SIS # | <b>Product Specifications</b>  |

Intended Environment: Type I - Designed to operate in maximum ambient conditions of 75°F (24°C) and 55% relative humidity

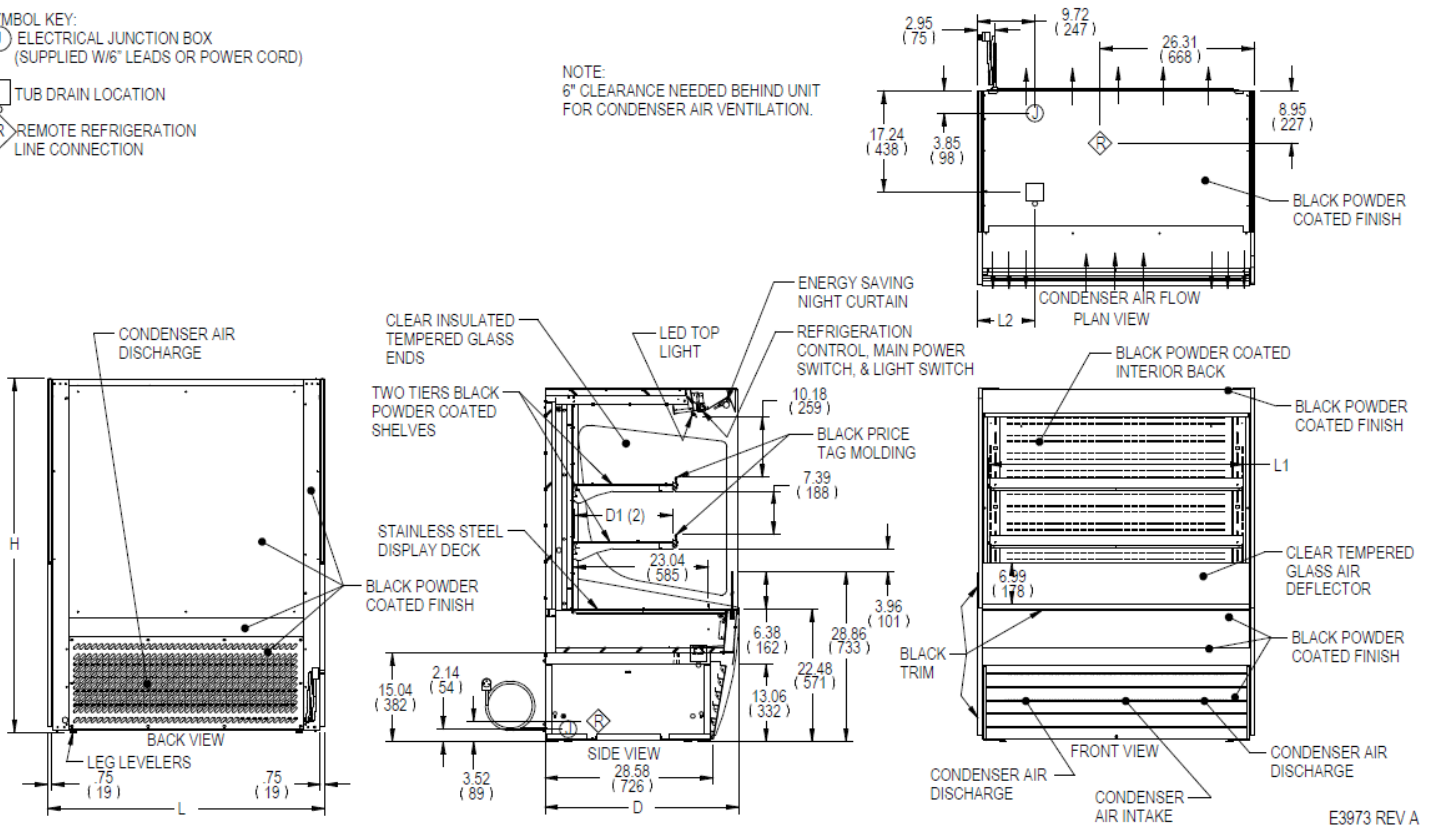
| Zone | Intended Product To Be Displayed | Avg Prod Temp °F/°C |
|------|----------------------------------|---------------------|
| All  | Packaged Refrigerated Products   | 38°F / (3.3°C)      |

**DIMENSION: xx"/(mm)**  
**DIMENSION TOLERANCE +/- 0.25 (6.4)**

SYMBOL KEY:

- SYMBOL KEY:
- J ELECTRICAL JUNCTION BOX (SUPPLIED W/6' LEADS OR POWER CORD)
  - TUB DRAIN LOCATION
  - R REMOTE REFRIGERATION LINE CONNECTION

NOTE:  
6" CLEARANCE NEEDED BEHIND UNIT FOR CONDENSER AIR VENTILATION.



E3973 REV A

| MODEL     | DIMENSIONS |     |      |       | TUB DRAIN  | SHELVING |        |                 | INTERIOR VOLUME CU FT | ELECTRICAL |               |             | STANDARD CONNECTION CORD & PLUG |                |     | REFRIGERANT | CONDENSATE REMOVAL | SHIP WEIGHT LBS KILO | PERMANENT CONNECT |      | REFRIGERANT | BTU'S @ +20' | CONDENSATE REMOVAL | SHIP WEIGHT LBS KILO |
|-----------|------------|-----|------|-------|------------|----------|--------|-----------------|-----------------------|------------|---------------|-------------|---------------------------------|----------------|-----|-------------|--------------------|----------------------|-------------------|------|-------------|--------------|--------------------|----------------------|
|           | L          | D   | H    | L2    | # OF TIERS | L1       | D1     | 2 WIRE + GROUND |                       | AMPS       | MAX FUSE SIZE | NEMA CORD & | AMPS                            | MAX FUSE       |     |             |                    |                      |                   |      |             |              |                    |                      |
|           | in         | in  | in   | in    |            | in       | in     |                 |                       |            |               |             |                                 |                |     |             |                    |                      |                   |      |             |              |                    |                      |
| VRSS3660S | 36         | 33  | 60   | 6.74  | 2          | 32.25    | 16.634 | 13.98           | 120/60/1              | 16         | 20            | NEMA 5-20P  | R290                            | INTEGRATED PAN | 535 | 2.5         | 15                 | R449A                | 6,720             | PUMP | 490         |              |                    |                      |
|           | 914        | 838 | 1524 | 171   |            | 819      | 423    |                 |                       |            |               |             |                                 |                | 243 |             |                    |                      |                   |      | 222         |              |                    |                      |
| VRSS4860S | 47.25      | 33  | 60   | 13.49 | 2          | 43.25    | 16.634 | 18.48           | 208-240/60/1          | 11         | 20            | NEMA 6-20P  | R290                            | INTEGRATED PAN | 620 | 3.0         | 15                 | R449A                | 9,580             | PUMP | 580         |              |                    |                      |
|           | 1200       | 838 | 1524 | 343   |            | 1099     | 423    |                 |                       |            |               |             |                                 |                | 281 |             |                    |                      |                   |      | 263         |              |                    |                      |
| VRSS6060S | 59.25      | 33  | 60   | 14.12 | 2          | 55.25    | 16.634 | 23.39           | 208-240/60/1          | 16         | 20            | NEMA 6-20P  | R290                            | INTEGRATED PAN | 755 | 3.5         | 15                 | R449A                | 11,200            | PUMP | 710         |              |                    |                      |
|           | 1505       | 838 | 1524 | 359   |            | 1403     | 423    |                 |                       |            |               |             |                                 |                | 342 |             |                    |                      |                   |      | 322         |              |                    |                      |
| VRSS7260S | 71.25      | 33  | 60   | 20.12 | 2          | 67.25    | 16.634 | 28.30           | 208-240/60/1          | 16         | 20            | NEMA 6-20P  | R290                            | INTEGRATED PAN | 845 | 3.5         | 15                 | R449A                | 12,300            | PUMP | 800         |              |                    |                      |
|           | 1810       | 838 | 1524 | 511   |            | 1708     | 423    |                 |                       |            |               |             |                                 |                | 383 |             |                    |                      |                   |      | 363         |              |                    |                      |

- Due to continuing engineering improvements, specifications are subject to change without notice
- Case temperature will vary if the air curtain is disrupted.



**FEDERAL INDUSTRIES**  
 A Standex Company  
 215 Federal Avenue Belleville, Wisconsin 53508-9201

**Phone:** 800-356-4206  
**Fax:** 608-424-3234  
**Email:** Geninfo@Federalind.com  
**Website:** Federalind.com