



SPEC SHEET

KoolMore 48 in. Commercial Outdoor Propane Gas Grill with Roll Dome Cover, ETL Listed in Stainless-Steel

Model: CGKIT4-48D

FEATURES

- Commercial Precision: High-performance grilling for outdoor kitchens.
- Durable Construction: 13-gauge 304 stainless steel resists rust and corrosion.
- Powerful Burners: Six 16,000 BTU burners, spaced 5.75" apart, for even heat.
- Quick Start-Up: Reaches cooking temp in 5 minutes.
- Spacious Cooking Area: 935 sq. in. for multiple dishes.
- Piezo Ignition: Reliable, hassle-free startups.
- Mobility: Large casters for easy movement.
- Accessories Included: 3 grates, propane hose, and side handle.
- Assembly Required: Straightforward setup with all parts included.
- Roll Dome: 48" 16-gauge 304 stainless steel with thermometer, opens to 90°.
- ETL Certified & Warranty: Meets safety standards with a 1-year parts/labor warranty.



CLOSE UP IMAGES



TECHNICAL SPECS

Dimensions

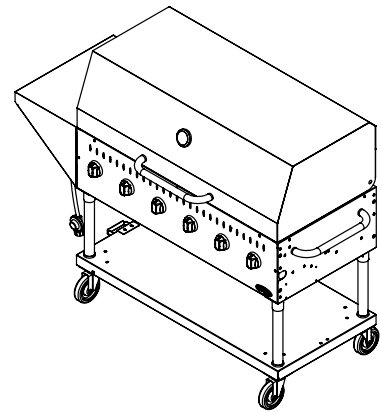
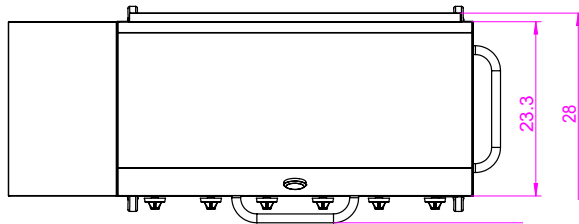
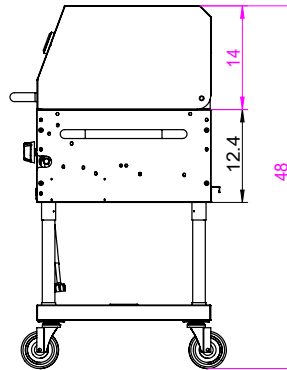
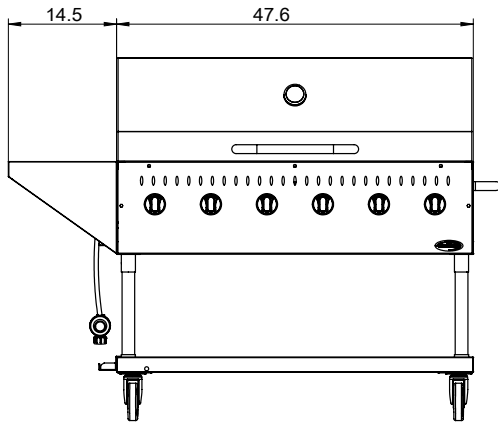
Length	47.6
Width	23.22
Height	34.8
Assembled Height	48.6
Weight lbs	209.8

Features & Materials

Assembly Required	Yes
Burner Grate Material	Stainless-Steel
Number Of Burners	6
Fuel Type	LP
Casters	4
Ignition Type	Pizeo
Certifications	ETL Listed

Plan View

Grill



CERTIFICATIONS



706 Eastern Parkway STE 1G, Brooklyn NY 11213
718-576-6342
info@koolmore.com