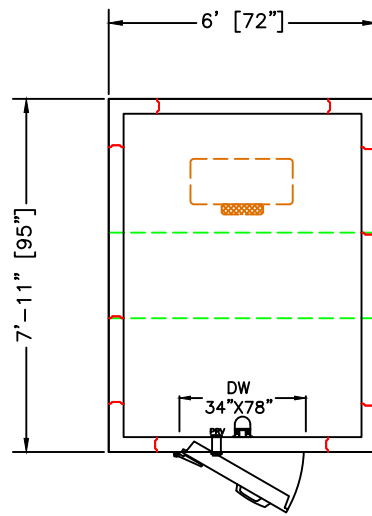
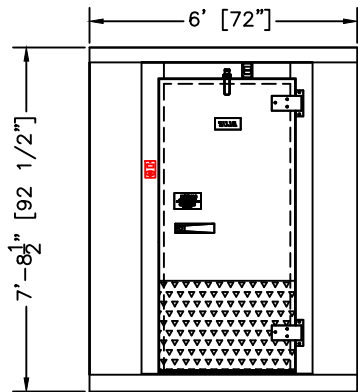


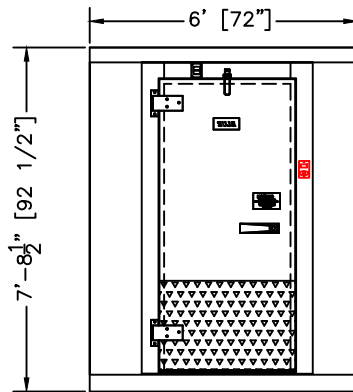
PLAN VIEW
RIGHT HINGE
SELECT



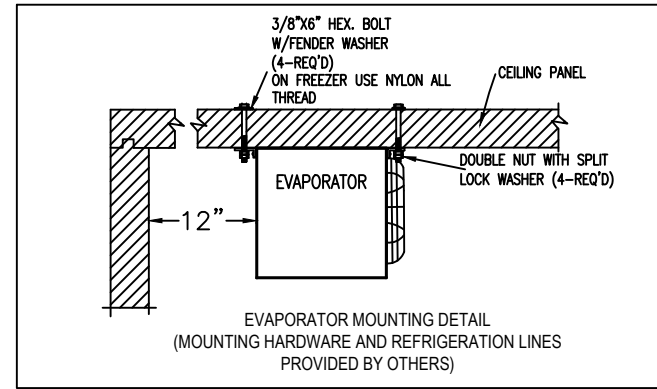
PLAN VIEW
LEFT HINGE
SELECT



ELEVATION
RIGHT HINGE



ELEVATION
LEFT HINGE



REFRIGERATION DESIGN SPECIFICATIONS

WALK-IN AMBIENT TEMP:	90°F
CONDENSER AMBIENT TEMP:	95°F
INCOMING PRODUCT TEMP:	≤0°F
HOLDING TEMP:	-10°F
OPENINGS PER HOUR:	2
REFRIGERATION LINE MAX LENGTH:	40FT (PROVIDED BY OTHERS)

PRODUCT SPECIFICATIONS

MODEL:	BL68-F-R
WALK-IN SPECIFICATIONS	
INTERIOR/EXTERIOR FINISH	26 GAUGE MILL EMBOSSED ACRYLUME OR 26 GAUGE STUCCO EMBOSSED GALVANIZED STEEL
ELECTRICAL (VOLTS/Hz/PH)	115/60/1
DOOR AMP.	2.2

EVAPORATOR SPECIFICATIONS

ELECTRICAL (VOLTS/Hz/PH)	230/60/1
MCA/MOPD	15/15 AMPS
WEIGHT (LBS)	41

CONDENSING UNIT SPECIFICATIONS

ELECTRICAL (VOLTS/Hz/PH)	208-230/60/1
MCA/MOPD	15/20 AMPS
WEIGHT (LBS)	195

WALK-IN AND REFRIGERATION FREIGHT

TOTAL SHIPPING WEIGHT (LBS)	1455
MAXIMUM PALLET SIZE	48" X 96" X 102" HIGH
NUMBERS OF PALLETS	2

MODEL: BL68-F-R
 INDOOR-WITH FLOOR
 FREEZER -10°F
 REMOTE PRE-ASSEMBLED REFRIGERATION

CUSTOMER APPROVAL

DATE: _____
 SIGNATURE: _____

CONFIDENTIAL

THE DRAWINGS, TECHNICAL DATA, AND ALL OTHER INFORMATION SET FORTH IN THIS DOCUMENT COMPRISE TRADE SECRETS AND CONFIDENTIAL INFORMATION THAT IS THE EXCLUSIVE PROPERTY OF ARCTIC INDUSTRIES, LLC.

USE OF SUCH INFORMATION IS LIMITED TO THE PURPOSE FOR WHICH IT WAS PROVIDED AND NO RECIPIENT IS PERMITTED TO USE, COPY, OR DISCLOSE SUCH INFORMATION EXCEPT AS EXPRESSLY AUTHORIZED BY ARCTIC INDUSTRIES, LLC.

Arctic
 WALK-IN COOLERS AND FREEZERS
 MIAMI, FLORIDA
 Phone: (305) 883-5581
 LOS ANGELES, CALIFORNIA
 Phone: (626) 508-0920

ETL US
 Intertek
 CONFORMS TO UL STRAITS

ETL
 Intertek
 CONFORMS TO NSF 51

EISA