

FAST CUP, 208-240V 60HZ BUNNLINK WIFI AC

Height: 33.5" Width: 16.8" Depth: 24.4"
(85.1cm) (42.7cm) (62.0cm)



- Liquid auto clean feature eliminates the need for manual daily cleaning
- BUNNlink – secure, remote machine monitoring solution provides you with peace of mind and will automate Customer Care messages, letting you know when to refill hoppers or empty the waste bin
- Freshly ground and hot brewed coffee, one fast, excellent cup at a time
- Expand your menu with a refreshing selection that is ready to be iced
- Large full color 10" touchscreen creates an easy to follow experience for every user
- Promote your brand by uploading your own graphics and videos
- Practically no coffee waste – the Fast Cup bean to cup system delivers individual cups of fresh coffee. What they want / when they want it
- Automated grinding, brewing and managing spent grounds frees up your staff to spend time with your customers

Agency:

Specifications

Product #: 55400.0110

Water Access: Plumbed

Interface: Cabled

Finish: Stainless/Black

Faucet: None

Hoppers: Three

Hopper Capacity: 3.30 lbs (1.361 kgs)

Door: Touchscreen

Additional Features

Hot Water Button

Electrical & Capacity

Volts*	Amps	Watts	Cord Attached	Plug Type	8oz cups/hr 236ml cups/hr	Input H ₂ O Temp.	Phase	# Wires plus Ground	Hertz
208-240	24.0	5200	-	-	63	60°F (15.5°C)	1	2	60

*When a BUNN is machine rated 120/208-240V, 120/208V or 120/240V, the higher voltage is the supply voltage needed to power the machine. The 120V is there to supply power to some components rated 120V in the machine, but it is not the supply voltage and would not power the machine if the machine is marked with the before mentioned ratings.

Plumbing Requirements

PSI	kPa	Fitting Supplied	Water Flow Required (GPM)
20-90	138-621	3/8" Male Flare Fitting	1.00

CAD Drawings

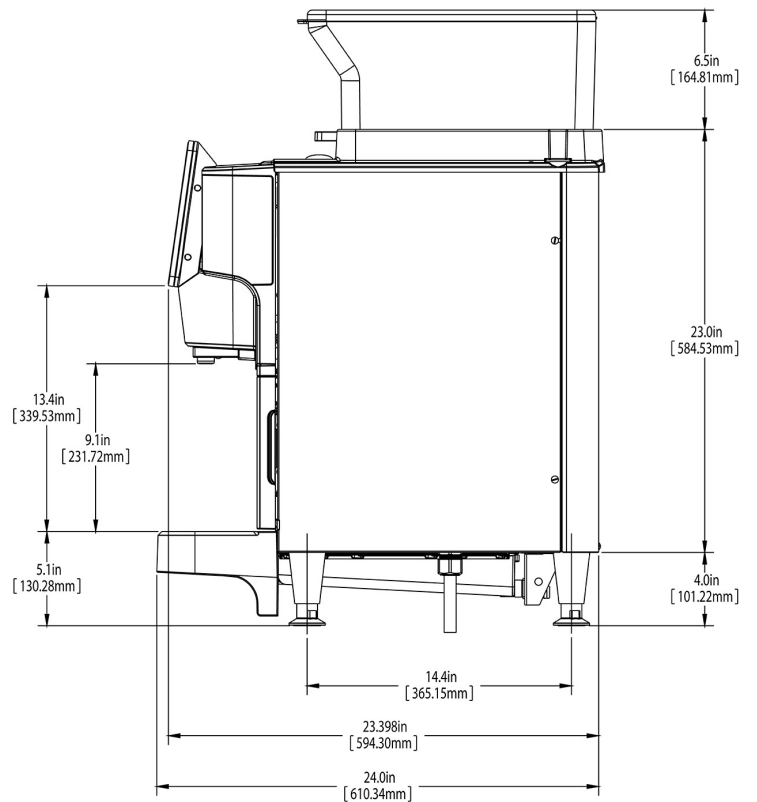
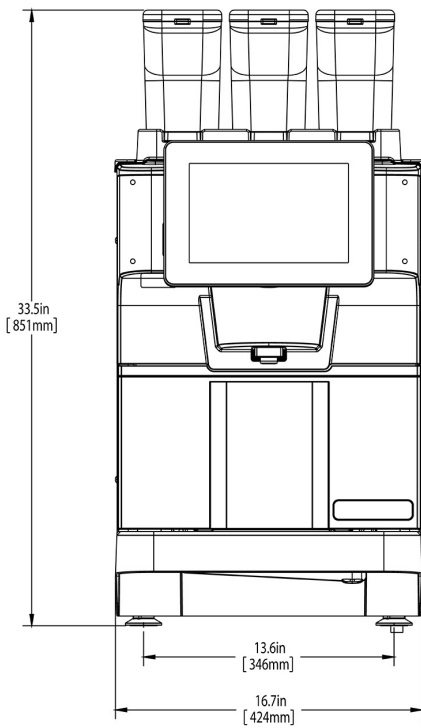
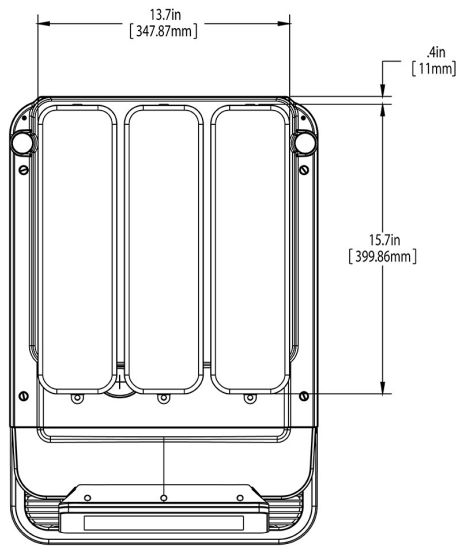
2D	Revit	KLC
●	●	●

WARNING:



BUNN® reserves the right to change specifications and product design without notice. Such revisions do not entitle the buyer to corresponding changes, improvements, additions or replacements for previously purchased equipment. For most current specifications and other info visit bunn.com.

Last Updated:
08/15/2025



Unit			Shipping					
	Height	Width	Depth	Height	Width	Depth	Weight	Volume
English	33.5 in.	16.8 in.	24.4 in.	-	-	-	181.000 lbs	-
Metric	85.1 cm	42.7 cm	62.0 cm	-	-	-	82.102 kgs	-



BUNN® reserves the right to change specifications and product design without notice. Such revisions do not entitle the buyer to corresponding changes, improvements, additions or replacements for previously purchased equipment. For most current specifications and other info visit bunn.com.

Last Updated:
08/15/2025

Related Products & Accessories: FAST CUP, 208-240V 60HZ BUNNLINK WIFI AC (55400.0110)



BRUSH, ANGLED 12 INCH

Product #: 47745.0000



KIT, CLEANING TUBE

Product #: 48236.1001



CLOTH, MICROFIBER SCREEN CLEANING

Product #: 53465.0000



SYSTEM, WEQ-10(1.5)5L

Product #: 56000.0024¹



SYSTEM, WEQ-SCALE-PRO.X

Product #: 56000.0033¹



FILTER HEAD, WEQ-SCALE-PRO.X

Product #: 56000.0038¹



CARTRIDGE, WEQ-SCALE-PRO.X

Product #: 56000.0120¹



CARTRIDGE, WEQ-10 (1.5)5L

Product #: 56000.0121¹



CARTRIDGE, WEQ-10 (1.5)5

Product #: 56000.0122¹



HEAD ASSEMBLY, WEQ-SINGLE

Product #: 56000.0201¹



THROUGH COUNTER CHUTE, FAST CUP

Product #: 57511.1000²

LIQUID CLEANER, CLEARLY COFFEE 1GAL BOX

Product #: 58602.1001

¹NSF Certified ²NSF Certified with spec sheet model listed ³NSF Certified under Solventum Purification ⁴NSF Certified under Mavea LLC ⁵NSF Certified under Zojirushi ⁶NSF Certified under Qins Inc ⁷NSF COMPONENT Certified



BUNN® reserves the right to change specifications and product design without notice. Such revisions do not entitle the buyer to corresponding changes, improvements, additions or replacements for previously purchased equipment. For most current specifications and other info visit bunn.com.

Last Updated:
08/15/2025

Serving & Holding Options: FAST CUP, 208-240V 60HZ BUNNLINK WIFI AC(55400.0110)

Serving and Holding selections are currently unavailable. Please contact your sales representative to find out more information.

¹NSF Certified ²NSF Certified with spec sheet model listed ³NSF Certified under Solventum Purification ⁴NSF Certified under Mavea LLC ⁵NSF Certified under Zojirushi ⁶NSF Certified under Qins Inc ⁷NSF COMPONENT Certified



BUNN® reserves the right to change specifications and product design without notice. Such revisions do not entitle the buyer to corresponding changes, improvements, additions or replacements for previously purchased equipment. For most current specifications and other info visit bunn.com.

Last Updated:
08/15/2025