



www.BakeMax.com

Project: _____

Item: _____

Qty: _____ Date: _____

BakeMax BMBPD152 78" Gas Pizza Stone Deck Oven

BakeMax Pizza Ovens are reliable and versatile solutions designed for professional baking applications. This series is constructed with heavy duty angle iron frame, which is fully welded to allow for double stacking. Oven exteriors are all heavy-duty stainless steel and are fully insulated for cooler outer temperatures and consistent interior temperatures.



Features:

- Oven exteriors are all heavy-duty stainless steel and are fully insulated for cooler outer temperatures and consistent interior temperatures
- This series is constructed with heavy duty angle iron frame, which is fully welded to allow for double stacking
- Each oven chamber features three refractory baking stones with an 8" deck height
- Temperature Range of 0-752°F
- Spring-balanced, fully insulated doors.
- Oven Inner Dimensions: 60" Wide x 36" Deep
- Combination gas controls with gas valve, gas regulator, and pilot safety.
- Heavy duty, slide-out flame diverters
- Left-side or rear 3/4" (19mm) NPT gas connection.
- 125,000 BTU per Deck
- Natural Gas or LP Gas with Thermostatic Temperature Controls
- 2-Year Limited Warranty



Product Specifications:

- Product Dimensions (WDH): 78.3" x 48" x 62"
- Product Weight: 1367 lbs.




Shipping Specifications:

- Shipping Dimensions (WDH): 82" x 54" x 39"
- Shipping Weight: 1522 lbs.

*Due to continuous product improvement, specifications are subject to change without notice.

BakeMax® / Titan Ventures International Inc.

Warehouses:

20 Caribou St, Moncton, NB E1H 0P3 
5705 Valley Belt Rd Independence, OH 44131 
1201 E 27th Terrace Pittsburg, KS 66762 

Toll Free: 1-800-565-BAKE (2253)

Phone: 506-858-8990

Fax: 506- 859-6929

Email: Sales@BakeMax.com



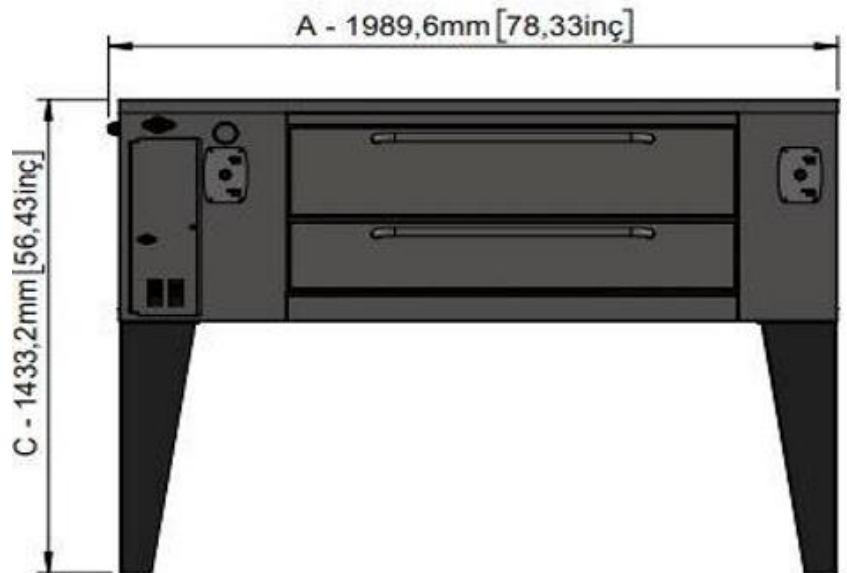
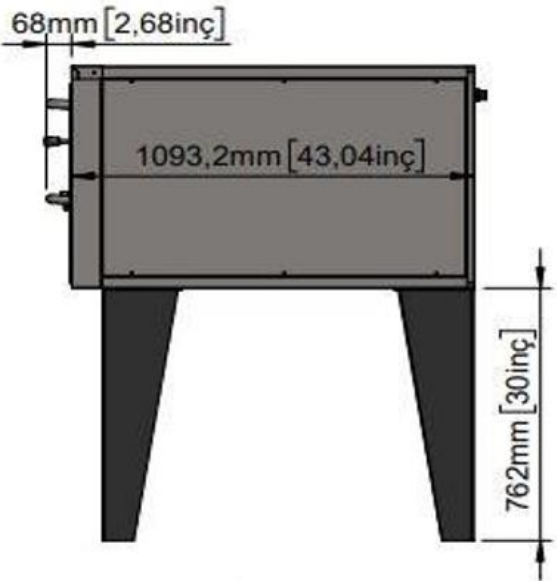
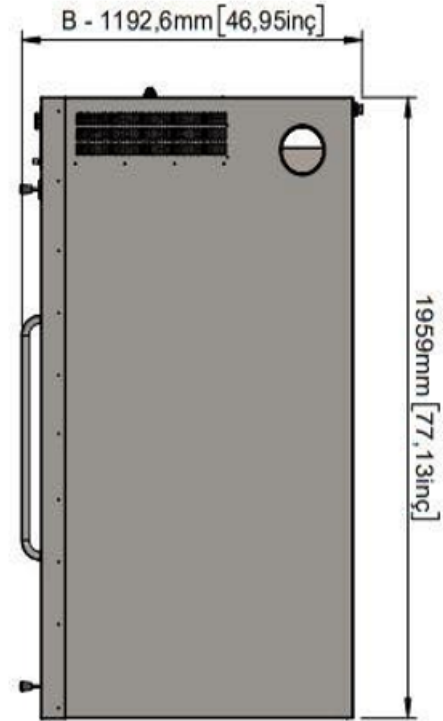
www.BakeMax.com

Project: _____

Item: _____




Qty: _____ Date: _____

BakeMax BMBPD152 78" Gas Stone Pizza Deck Oven



BakeMax® / Titan Ventures International Inc.

Warehouses:

20 Caribou St, Moncton, NB E1H 0P3 
5705 Valley Belt Rd Independence, OH 44131 
1201 E 27th Terrace Pittsburg, KS 66762 

Toll Free: 1-800-565-BAKE (2253)
Phone: 506-858-8990
Fax: 506- 859-6929
Email: Sales@BakeMax.com