

### Evolution Series • Model EVOx-1F-BB

#### Dimensions & Specifications

Exterior Size WxDxH (Inches)	27.5" x 35" x 80.125"
Interior Size WxDxH (Inches)	22.5" x 27.5" x 56.375"
Hinged Solid Door	1
Interior Capacity (Cu/Ft)	20.2
Stainless Steel Shelves	(6) Full Extension
Shipping Weight	382 lbs.

#### Refrigeration System

Refrigerant	R-404a
Refrigerating Cycle	-30° C ~ -15° C
Refrigeration System	Expansion Valve, Forced Air
Defrost Method	Automatic

#### Electrical System

Horse Power	3/4+
Power Supply	115/60/1
Amps	FLA (11.5) RLA (10.0)
BTU	2650 (REV 3.1)
NEMA Plug	5-20P

#### Controller Specifications

Digital Microprocessor	LCD Screen
Touch Key Pad	Multi-program
High/Low Visual Alarm	Yes
High/Low Audible Alarm	Yes
Migali® IntelVU®	Optional*

#### Construction

Exterior	304 Series Stainless Steel
Interior	White Powder Coated Aluminium
(1) Hinged Solid Door	304 Series Stainless Steel Door
Heavy-Duty Hinges	Chrome, Side-mount
Positive Latch Handle	Chrome w/ lock and key

#### Other Features

Access Port	Right Side, 2.125" Diameter
Product Simulator	Glycol & Probe Included
Migali® Paper Chart Recorder	4", 7 Day
Monitoring Alarm	Hi/Lo Alarm w/ Dry Contacts
Casters	(2) Locking, (2) Non-Locking
Control Panel	Hinged Access to Condenser for Easy Preventive Maintenance

#### Warranty Protection Plan

Compressor	7 years
Parts	2 years
Labor	1 year

#### Certifications

ETL Electrical-Intertek	cETLus
-------------------------	--------

#### Migali® IntelVU®

\*Migali® IntelVU®: Touch Screen Microprocessor, 24/7 temperature monitoring, downloadable via USB port, full control over refrigerator performance with many additional features. See Migali® IntelVU® spec sheet.



\*Shown with optional IntelVU® Touch Screen Display

Made in the USA. Trusted Since 1955

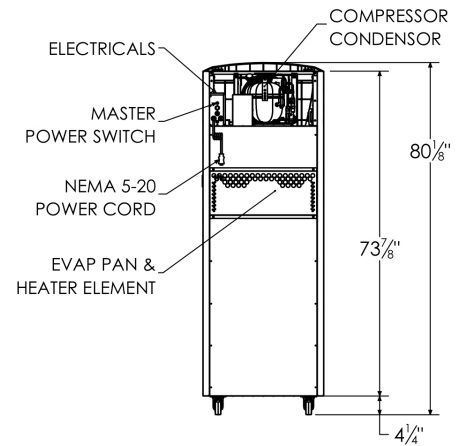
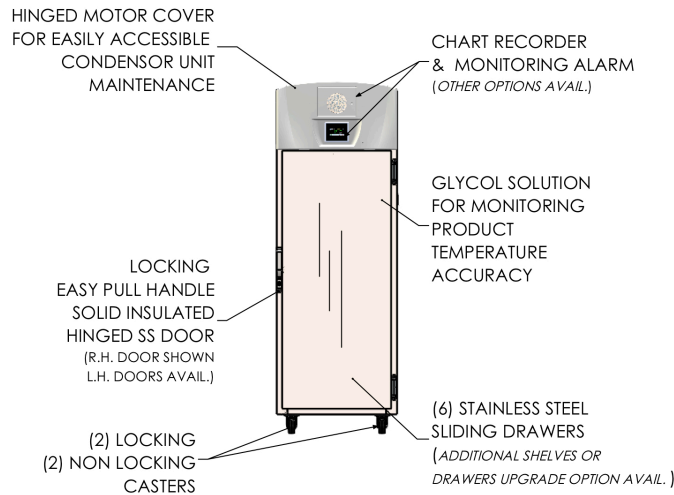
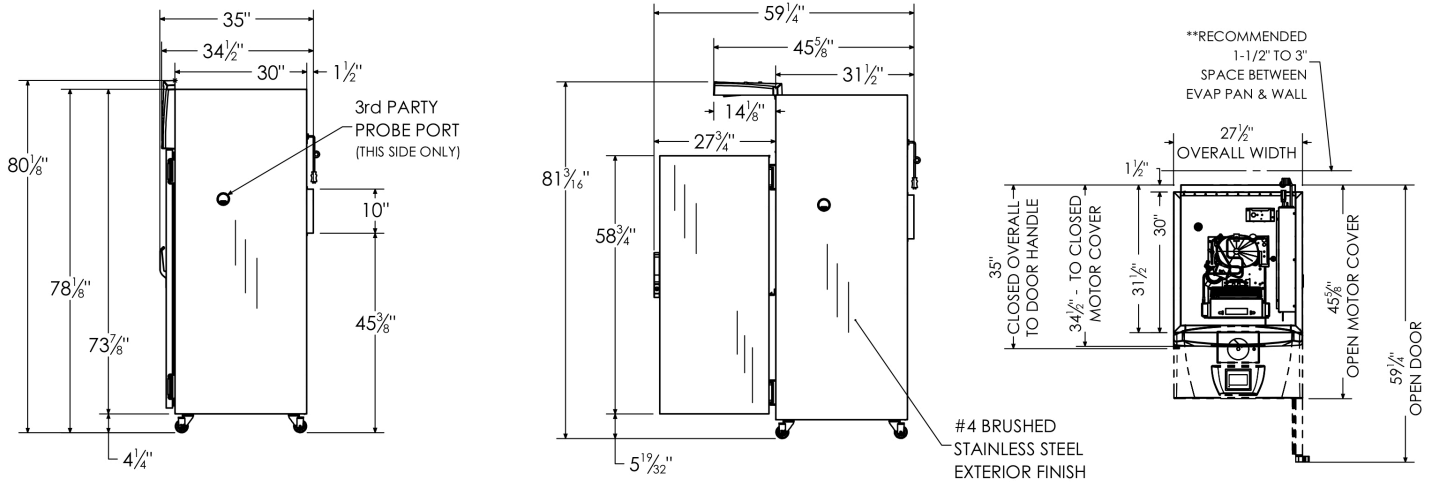
MIGALI® SCIENTIFIC

Toll Free: 855-464-4254 Fax: 856-963-3604

Email: [contact@migaliscientific.com](mailto:contact@migaliscientific.com) Web: [www.migaliscientific.com](http://www.migaliscientific.com)



### Evolution Series • Model EVOx-1F-BB



Made in the USA. Trusted Since 1955

MIGALI<sup>®</sup> SCIENTIFIC

Toll Free: 855-464-4254 Fax: 856-963-3604

Email: [contact@migaliscientific.com](mailto:contact@migaliscientific.com) Web: [www.migaliscientific.com](http://www.migaliscientific.com)

