



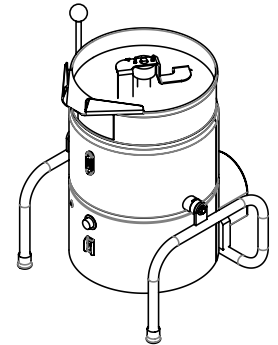
# STEAM JACKETED KETTLES

## ELECTRIC DIRECT DRIVE FUDGE MIXING KETTLE MODELS GFK-20

20 Quart, stainless steel non-pressurized water jacket with electric heat source contained within the unit.

Certifications:

PROJECT NAME:	
LOCATION:	
ITEM NO:	
QTY:	
MODEL NO:	
AIA NO:	
SIS NO:	
CSI SECTION:	11400



### AVAILABLE MODELS:

- GFK-20-110V (Part number 179022)
- GFK-20-220V (Part number 179023)

**CONSTRUCTION:** Kettle shall be of 304 stainless steel, one-piece welded construction. All exposed surfaces shall be stainless steel. All controls shall be contained within the Kettle Body for water protection. Kettle Body shall have a removable bottom cover for service access. Unit shall have a heavy reinforced rim with a welded-in butterfly shaped pouring lip for maximum sanitation and durability. Right and left hand tilt handle configurable. Left hand only for tilt lock option.

**FINISH:** Interior of kettle shall be polished to a 180 emery grit finish. Exterior of kettle shall be finished to a bright high buff finish, ensuring maximum ease in cleaning and maintaining a brilliant appearance.

**UL LISTING:** Unit shall be UL listed.

**SANITATION:** Unit shall be designed and constructed to meet NSF and known health department and sanitation codes, and NSF listed.

**SELF-CONTAINED HEAT SOURCE:** Kettle shall have a self contained electrical heat source to provide kettle temperatures of 140°F to approximately 180°F. Unit shall be factory filter with water and rust inhibitors, to ensure long life and minimum maintenance.

**CONTROLS:** Controls to be located on lower front of the Kettle to include: Power ON-OFF switch with indicator light, temperature control knob with 1 to 3 increments, and HEAT(ing) indicator light.

**SAFETY SYSTEMS:** Kettle shall have safety thermal circuit breaker for motor protection.

**PERFORMANCE/FEATURES:** Unit shall be thermostatically controlled to automatically shut off when desired temperature is reached and to turn on when product temperature falls below desired setting. Design shall make it easy for one person to precisely tilt kettle, when filled to capacity. Pouring height allows filling of 2" deep pans on the table top. Tilt handle is field reversible for right or left-hand tilt. A removable agitator is provided for easy cleanup. Unit is shipped with filled water jacket.

**INSTALLATION:** Single Phase electrical connection required. 60Hz, 20 Amp circuit for 110VAC model and 50Hz, 15 Amp circuit for the 220VAC model. GFK-20-110V: 6' - 12 AWG cord and 20 amp, 3-wire straight blade plug. GFK-20-220V: 6' - 12 AWG cord and 15 amp, NEMA L6-15 plug. Units electrically tested at factory.

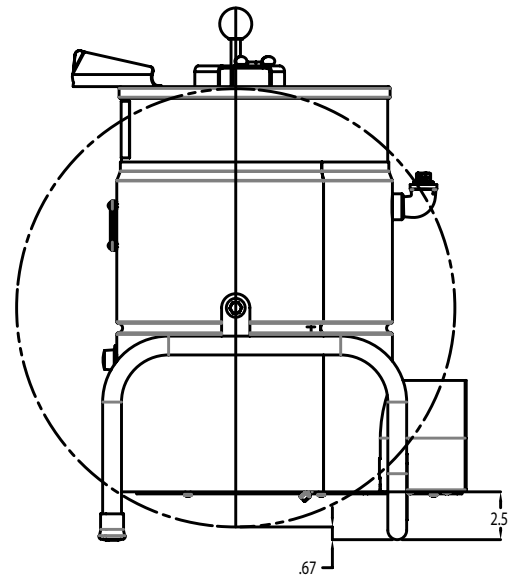
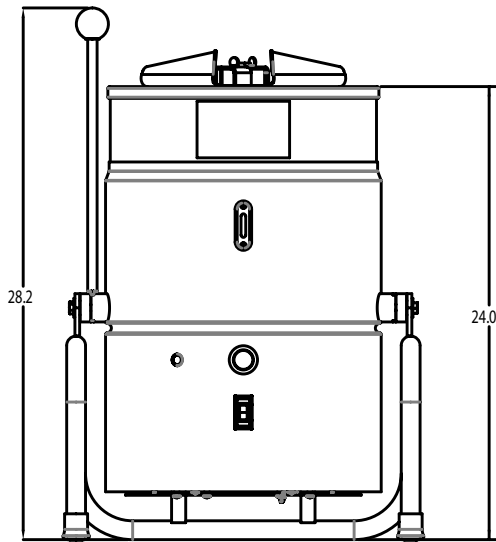
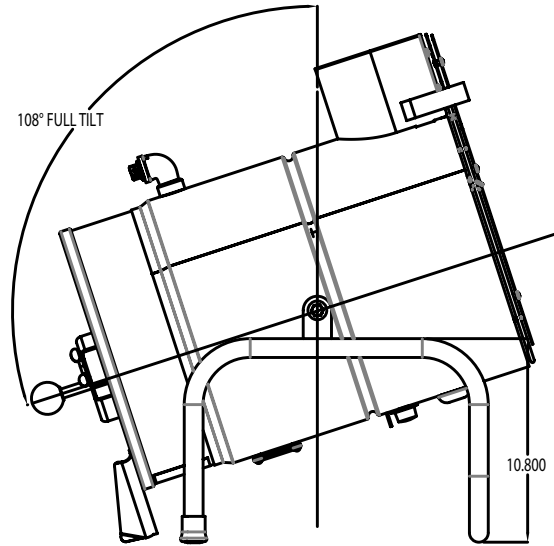
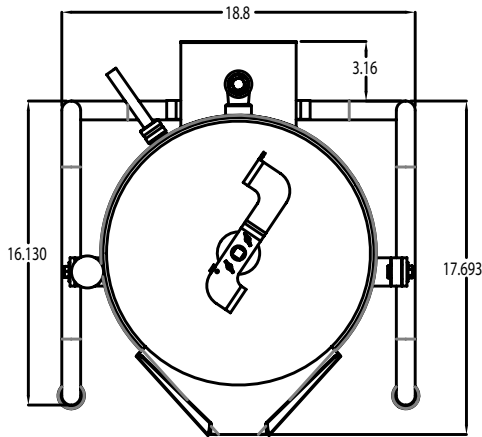
**ORIGIN OF MANUFACTURE:** Designed and manufactured in the United States.

### OPTIONS/ACCESSORIES:

- 178890 Tilt lock (Left hand only for tilt lock option)

### ADDITIONAL RESOURCES:

- [Request A Quote](#)
- [Sales Tools](#)
- [Find A Rep](#)



**ELECTRICAL SPECIFICATIONS:**

FREQUENCY	60 Hz	50Hz
VOLTAGE	110/115VAC	220VAC
POWER, KW	1.9	1.9
DRAW, AMP	16.5	8.3
POWER, HP	1/4	1/4
FULL LOAD CURRENT, AMP	1.6	0.9
START CAPACITY	40	40
SERVICE POWER SUGGESTED	20 AMP, 1 PH	15 AMP, 1 PH

ELECTRIC POWER FOR THE KETTLE AND MIXER IS SUPPLIED THROUGH A PLUG-IN POWER CORD, WHICH IS FURNISHED WITH THE UNIT.