

Company:

Job:

Notes:

Item#:



MANUFACTURING INC.

WORK TABLES - 18ga/400 Beveled Square Edge

5" BACKSPASH TOP WITH OPEN BASE & STAINLESS STEEL LEGS

FEATURES & CONSTRUCTION

- Top is fabricated with 1-1/2" Beveled Square edge on front edge, 5" Backsplash and flat edges on both ends.
- Table top edges formed with hemmed edges to provide extra rigidity and safe to touched finished.
- Top reinforced with two (2) sound deadening hat channels.
- All exposed welded areas smooth polished to brush finish sanitary #4.
- Adjustable cross-bar secure to leg with easily cross-bar manage aluminum die cast fitting.
- Welded leg socket for removable table legs.
- All tables shipped K.D. and easily assembled.

MATERIAL

- Top: 18 Gauge 430 Stainless Steel
- Cross-bar 1 1/4" Stainless Steel Tubing
- Leg: 1 5/8" Stainless Steel Tubing, Stainless Steel Leg Socket, 1" Adjustable Stainless Steel Bullet Feet

Model #	SIZE			G.W.
	W	L	H	
SMTEOB-2424S	24"	24"	36"	32 lbs
SMTEOB-2430S	24"	30"	36"	36 lbs
SMTEOB-2436S	24"	36"	36"	39 lbs
SMTEOB-2448S	24"	48"	36"	46 lbs
SMTEOB-2460S	24"	60"	36"	53 lbs
SMTEOB-2472S	24"	72"	36"	61 lbs
SMTEOB-2484S	24"	84"	36"	74 lbs
SMTEOB-2496S	24"	96"	36"	84 lbs
SMTEOB-24108S	24"	108"	36"	94 lbs
SMTEOB-24120S	24"	120"	36"	104 lbs

Model #	SIZE			G.W.
	W	L	H	
SMTEOB-3030S	30"	30"	36"	38 lbs
SMTEOB-3036S	30"	36"	36"	42 lbs
SMTEOB-3048S	30"	48"	36"	52 lbs
SMTEOB-3060S	30"	60"	36"	61 lbs
SMTEOB-3072S	30"	72"	36"	67 lbs
SMTEOB-3084S	30"	84"	36"	83 lbs
SMTEOB-3096S	30"	96"	36"	92 lbs
SMTEOB-30108S	30"	108"	36"	101 lbs
SMTEOB-30120S	30"	120"	36"	110 lbs



Hat Channel Supported



Square Edge



Aluminum Die Cast Fitting for Adjustable Cross Bar



1" Adjustable Stainless Steel Bullet Feet



45° Slanted Backsplash

WEIGHT CAPACITY FOR DISTRIBUTED LOAD IN LBS		
5" BACKSPASH TOP TABLES WITH OPEN BASE	UP TO 72" LENGTH	84" + WITH CENTER LEG
18 ga Table Top	350	450



* 84" tables and longer come with 6 legs

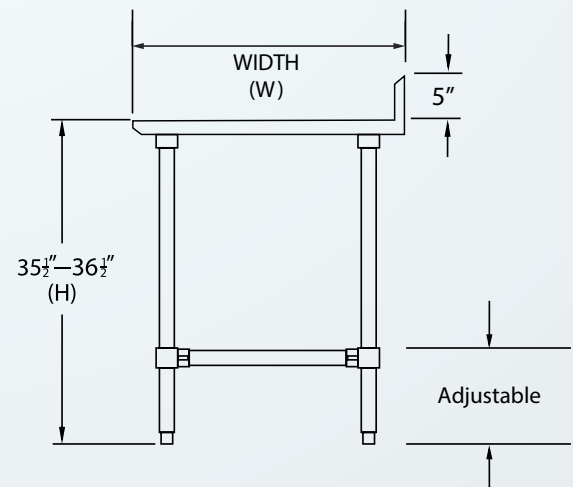
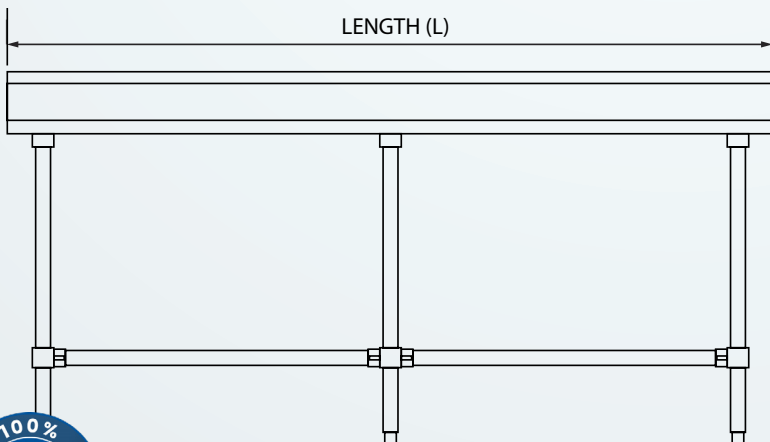
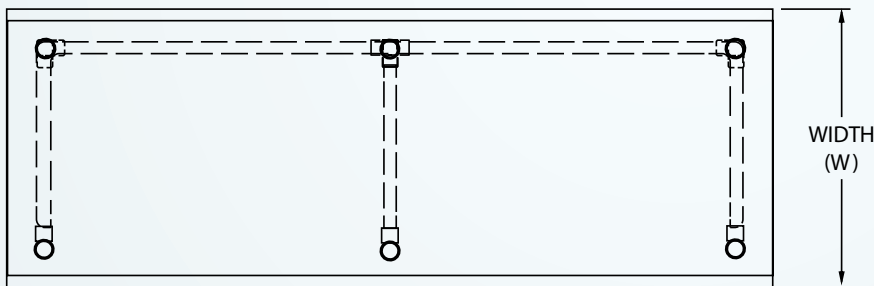
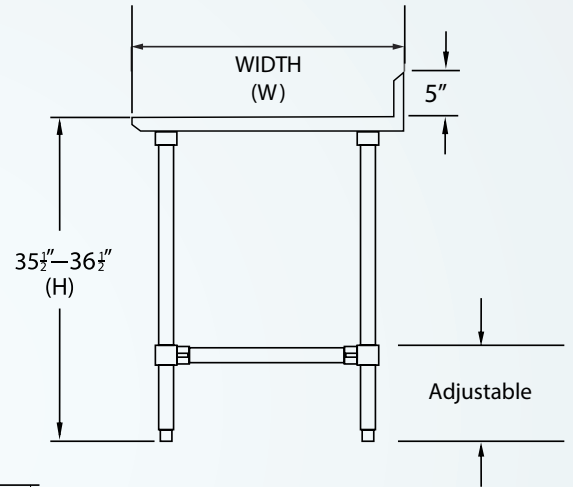
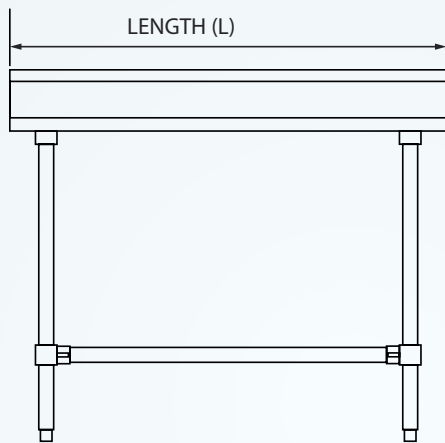
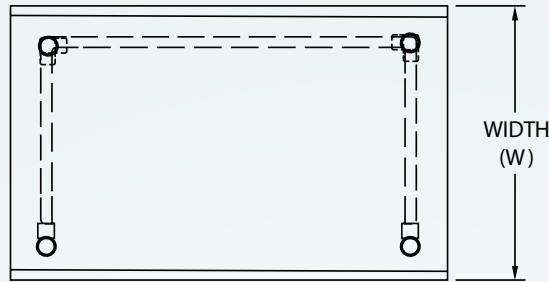




MANUFACTURING INC.

WORK TABLES - 18ga/400 Beveled Square Edge

5" BACKSPLASH TOP WITH OPEN BASE & STAINLESS STEEL LEGS



Specifications subject to change without notice - All dimensions are typical (Tolerance 1/4")