



Project \_\_\_\_\_  
 AIA # \_\_\_\_\_ SIS# \_\_\_\_\_  
 Item # \_\_\_\_\_ Quantity \_\_\_\_\_ C.S.I. Section 114000

## ABSEDO-382 - Two-Deck, Three-Pan Electric Deck Oven



### MARKETING SPECIFICATION

Specified Electric Deck Oven shall be an ABSEDO-382, two deck, 3-pans per deck with welded steel frame, Stackable modular construction and stainless steel interior and exterior. Unit shall be stackable up to 4 Decks. Each deck shall be supplied with digital controls for top and bottom heat control readable in degrees F or C, bake timer, steam timer, interior light, easily removable ceramic stone hearths, self-cleaning water drop steam system with stainless steel pods and thermostatically controlled steam temperature, ceramic encased heating elements encapsulated in steel and Vienna style doors that open up and into baking chamber. Oven shall be supplied on casters with levelers on all four corners and ETL/UL and ETL/NSF Approvals



Meets UL 763 and NSF-8 Standards

### Model ABSEDO-382

#### Two-Deck, Three-Pans Wide

#### STANDARD FEATURES

- Stainless Steel Interior and Exterior
- Easily Removable Ceramic Stone Hearths
- Digital Controls for Top and Bottom Heat Control, Bake Timer, Steam Timer and light
- Heating Elements Encased in Ceramic and encapsulated in Steel for Mellow Heat Radiation
- Vienna Style Doors open into Baking Chamber to eliminate Hot Surface product loading
- Steam System on Each Deck Operate Independently and are Thermostatically Controlled and Self Cleaning
- Modular Design, Deck can be added when operation Expands
- Supplied on Casters with Four Corner Leveling System
- Electrical – 208 Volt, 3Ph, 60 Hz
- ETL/UL and ETL/NSF Approvals—Meet or Exceeds UL 763 and NSF Standards

#### CONTROL AND PERFORMANCE FEATURES

- Easy Readable Digital Controls for Top and Bottom Heat Control, Bake Timer, Steam timer and Light
- Steam System is Thermostatically Controlled for Proper Steam Moisture and Equipped with Self-Cleaning Stainless Steel Pods
- Ceramic Stone Hearths are Easily Removable for cleaning or Service
- Heating Elements Encased in Ceramic and Encapsulated in Steel for Soft Mellow Bake and Maximum Element Life
- Eight Inch Crown Standard on all Decks so Oven will Bake Full Range of Products--Artisan Breads, Pastry, and Cakes

#### OPTIONS & ACCESSORIES

- Electrical: 220/60/1 or 480/60/3
- Steel Hearths
- Stainless Steel Factory Integrated Hood

#### STANDARD PRODUCT WARRANTY

- One-Year Parts and Labor (Contiguous US and Canada Mainland)



MPM Food Equipment Group, LLC  
 236 Egidi Drive, Suite A, Wheeling, IL 60090  
 Phone: 800-976-6762 Fax: 847-297-6725

Email: [info@mpmfeg.com](mailto:info@mpmfeg.com)  
 WEB: [www.mpmfeg.com](http://www.mpmfeg.com)

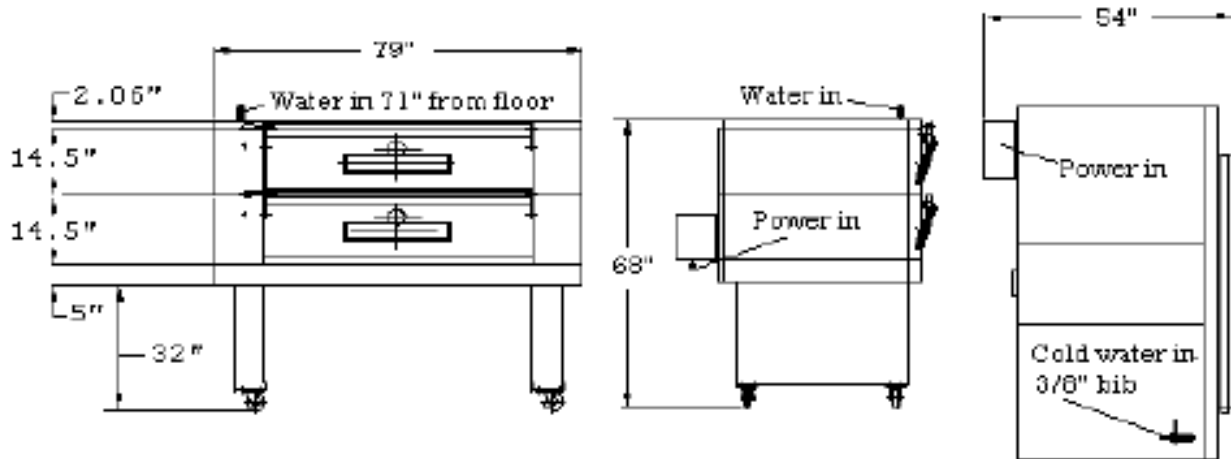


Send Orders to: [ABSorders@mpmfeg.com](mailto:ABSorders@mpmfeg.com)



# Two-Deck, 3-Pan Electric Deck Oven

# ABSEDO-382



MODEL ABSEDO-382 UTILITY SPECIFICATIONS	
Model 382	208-220/60/3 or 480/60/3
Plug	Hard Wired
Slow-Blow Breaker	208: 70 Amp 480: 30 Amp
Water Pressure	18-20 PSI Maximum
Water Condition	Softened, Filtered

MODEL ABSEDO-382 3-PAN WIDE	
Hearth Dimensions	54"w x 30"d x 8"h 3240 sq inches

SHIPPING							
Model	Crated Dimensions Height x Width x Depth	Unit Dimensions Height x Width x Depth	Weight	Net Weight	Freight Class	Door Clearance	Fork Lift Delivery Recommended
ABSEDO-382	84" x 85" x 58"	68" x 79" x 54"	2190	1680	110	54"	Yes



Send Orders to: [ABSorders@mpmfeg.com](mailto:ABSorders@mpmfeg.com)