



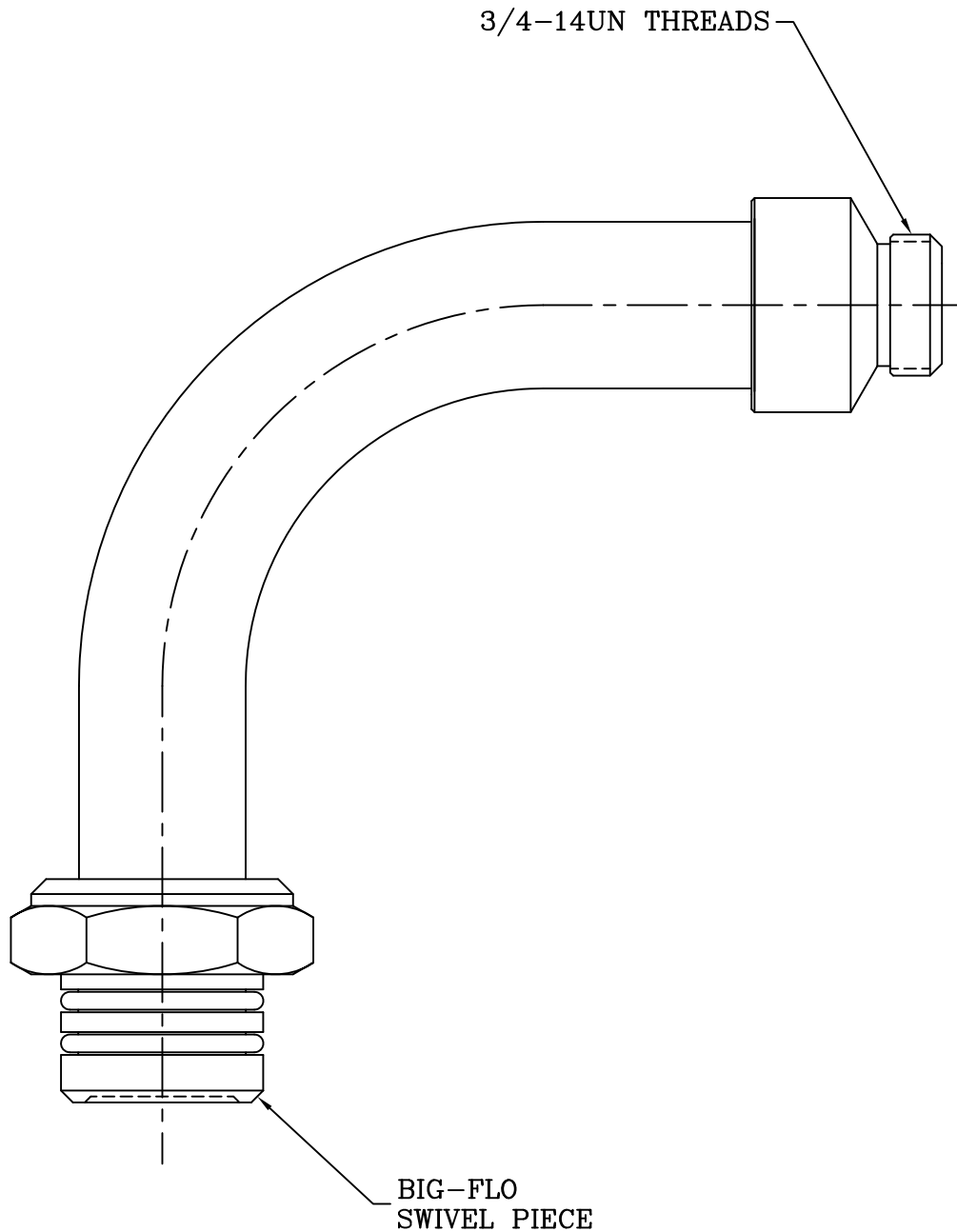
T&S BRASS AND BRONZE WORKS, INC.
 2 SADDLEBACK COVE / P.O. BOX 1088 / TRAVELERS REST, SC 29690
 PHONE 800-476-4103 FAX 864- 834-3518



Model No.
BF-0034-A
 Item No.:

Job Name: _____ Architect/Engineer Approval: _____

Notes:



Product Description: "BIG-FLO" SWIVEL ADAPTER ASSEMBLY	Drawn:	Checked	Scale:
	JKD	MVW	1' = 1'
	Approved	Date:	
	MVW	5/25/99	