



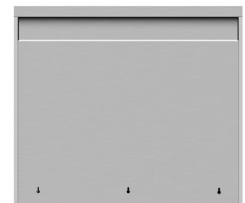
# SPEC SHEET

## KoolMore 36 in. Kitchen Wall Cabinet with Hinged Doors and 2 shelves in Stainless-Steel

Model: KM-WMC-1536-S

### FEATURES

- Secure Locking Doors: Protects valuables in busy settings.
- Durable Construction: 20-gauge 304 stainless steel resists corrosion and wear.
- Slanted Roof: Reduces dust buildup and simplifies cleaning.
- Ample Storage: Two shelves, each holding 206.5 lbs., for versatile use.
- Wall Mounting: Space-saving design with secure bracket included.
- Smooth Hinged Doors: Easy, reliable access with secure closure.
- Ventilation Slits: Ensures airflow to prevent moisture buildup.
- Easy to Clean: Smooth stainless steel for quick sanitizing.
- Robust Brackets: Sturdy mounting for stability when loaded.
- NSF Certified & Warranty: Meets safety standards with a 1-year parts/labor warranty.



### CLOSE UP IMAGES



# TECHNICAL SPECS

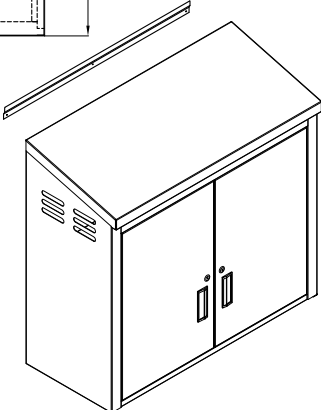
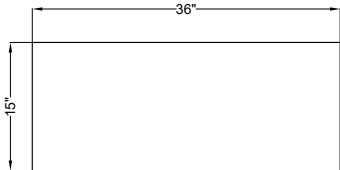
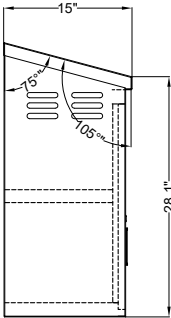
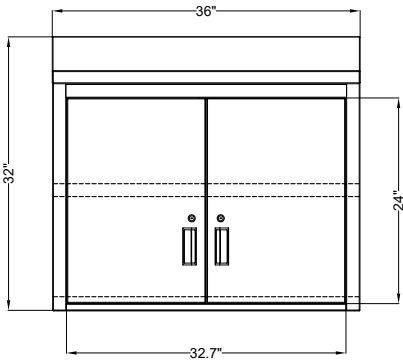
## Dimensions

Length	36
Width	15
Height	33
Depth Excluding Handles	13.56
Depth Including Handles	14.4
Depth Less Door	13.4
Depth With Door Open 90 Degrees	23.8

## Features & Materials

Weightlbs	49.36
Hinge Location	Towards Top and Bottom
Number Of Shelves	2
Individual Shelf Capacity	206.5 lb
Exterior Material	Stainless-Steel 304
Gauge Of Stainless Steel	20
Mounting Bracket Type	Wall Mounted, Included
Door Style	Swing
Safety Lock	Yes
Vent Type	Slits in Cabinet
Color	Brushed Stainless-Steel
Certifications	NSF Certified for Sanitation

# Plan View



**CERTIFICATIONS**



706 Eastern Parkway STE 1G, Brooklyn NY 11213  
718-576-6342  
info@koolmore.com