



N0422 - 400lb Nugget Ice Machine

Prodigy Plus® Nugget Ice Machine



Features & Benefits

- Available in softer, Original Chewable Nugget Ice and harder, H2 Nugget Ice
- Sealed, maintenance-free bearings for reduced preventative maintenance and long-lasting performance
- Stainless steel evaporator and auger for maximum durability
- AutoAlert™ indicator lights for better visibility
- Operational footprint among the industry's smallest
- Unit specific QR code for quick access to service manuals, cleaning guides and warranty history
- Front-breathing - No side clearance required for flexible placement
- Smart-Board™ advanced feature module available for additional diagnostic capabilities
- Optional Vari-Smart™ ice level control allows operators to customize ice levels
- Antimicrobial protection guards internal surfaces between cleanings
- A full range of water- and energy-saving features



Sealed, maintenance-free bearings ensure maximum reliability and contribute to a long machine life



Available in softer, Original Chewable Nugget Ice or harder, H2 Nugget Ice



24 Hour Volume Production

Original Chewable Nugget

Air Cooled		Water Cooled	
70°F/21°C	Air 90°F/32°C	70°F/21°C	Air 90°F/32°C
50°F/10°C	Water 70°F/21°C	50°F/10°C	Water 70°F/21°C
430/191 lb/kg	327/149 lb/kg	455/206 lb/kg	308/140 lb/kg



24 Hour Volume Production

H² Nugget

Air Cooled		Water Cooled	
70°F/21°C	Air 90°F/32°C	70°F/21°C	Air 90°F/32°C
50°F/10°C	Water 70°F/21°C	50°F/10°C	Water 70°F/21°C
375/170 lb/kg	285/130 lb/kg	444/202 lb/kg	287/130 lb/kg



Modular Bin & Dispenser Options

Model Number*	Dimensions W" x D" x H"	Bin Application		Ship Weight lb/kg
		Capacity lb/kg	Finish	
B322S	22 x 34 x 44**	370/168	Metallic	140/64
B530P	30 x 34 x 44**	536/244	Poly	110/50
B530S	30 x 34 x 44**	536/244	Metallic	150/68
ID150	22 x 30 x 35	-	Stainless Steel	185/69
ID200	30 x 31 x 35	-	Stainless Steel	235/107
ID250	30 x 31 x 41	-	Stainless Steel	260/152

*Contact Scotsman for bin top requirements. **Add 6" Height for bin legs. † Stainless steel with galvanized back & bottom.



Nugget Ice



Original Chewable Nugget Ice Hardness Rating: Soft = 74%



H² Nugget Ice Hardness Rating: Hard = 87%



Certification



Warranty

- 3 years parts and labor on all components.
- 5 years parts on the compressor.
- Warranty valid in North, South & Central America for commercial installations.
- Contact factory for warranty in other regions.
- Residential Applications: 1 year parts and labor



101 Corporate Woods Parkway, Vernon Hills, IL 60061

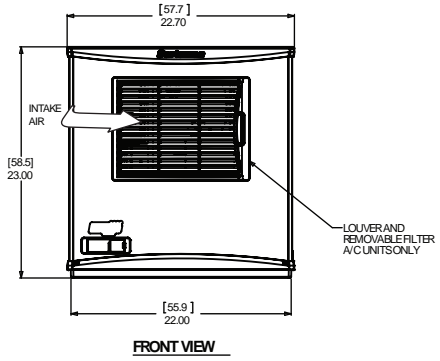
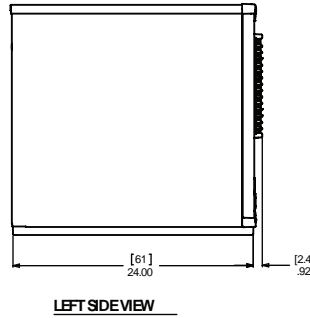
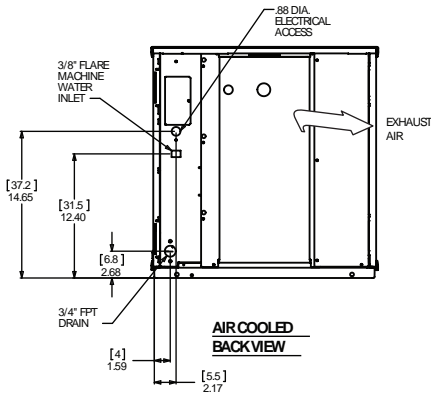
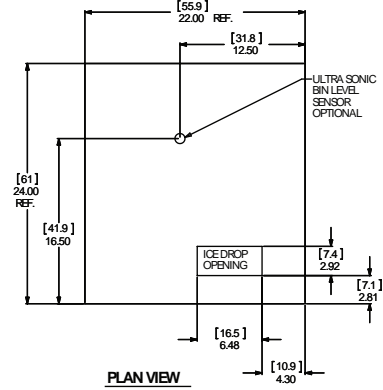
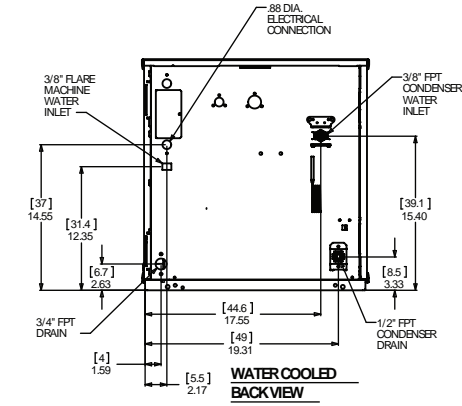
1-800-SCOTSMAN | Fax: 847-913-9844 | www.scotsman-ice.com | customer.relations@scotsman-ice.com

N0422 - 400lb Nugget Ice Machine

N0422 - 400lb Nugget Ice Machine

Prodigy Plus® Nugget Ice Machine

N0422 - 400lb Nugget Ice Machine



Specifications

Model Number <small>Nugget Type: Soft or Hard</small>	Condenser Unit	Basic Electrical Volts/Hz/Phase	Max. Fuse Size or HACR Circuit Breaker (amps)	Circuit Wires	Min. Circuit Ampacity	Energy Consumption kWh/100 lb (45.4 kg) 90°F(32°C)/70°F(21°C)	Water Usage Gallons/100 lb (liters/45.4 kg)	
							Potable 90°F(32°C)/70°F(21°C)	Condenser 90°F(32°C)/70°F(21°C)
soft — NS0422AX-1	Air	115/60/1	20	2	11.1	4.04	12.0/45.5	-
soft — NS0422WX-1	Water	115/60/1	20	2	10.3	3.69	12.0/45.5	124/469.7
hard — NH0422AX-1	Air	115/60/1	20	2	11.1	5.00	12.0/45.5	-
hard — NH0422WX-1	Water	115/60/1	20	2	10.3	3.90	12.0/45.5	88/333.1



All Models

Dimensions (W x D x H):

Unit: 22" x 24" x 23"
(58.2 x 61.0 x 58.4 cm)

Shipping Carton: 25.5" x 27.5" x 28.5"
(64.8 x 69.9 x 72.4 cm)

Shipping Weight: 172 lb / 78 kg BTUs per hour: 5,000

Refrigerant: R290



Accessories

Model Number	Description
KVS	Vari-Smart™ Ice Level Control - Program ice bin levels to match ice needs.
KSBU	Smart-Board™ Advanced Control - Use additional operational data for fast diagnosis.
KSBU-N	Smart-Board™ Advanced Control with Network - Network capable.
KPAS	Prodigy Advanced Sustainability Kit - Includes KVS and KSBU - N

Scotsman recommends all ice machines have water filtration. See Scotsman water filter specification sheet for details.



Operating Requirements

	Minimum	Maximum
Air Temperatures	50°F (10°C)	100°F (38°C)
Water Temperatures	40°F (4.4°C)	100°F (38°C)
Remote Cond. Temps	-20°F (-29°C)	120°F (49°C)
Water Pressures	20 PSIG (1.4 bar)	80 PSIG (5.5 bar)
Electrical Voltage	-5%	+10%

Specifications and design are subject to change without notice.