

## 36E Series Heavy Duty Combination Top Range

Project \_\_\_\_\_  
 Item \_\_\_\_\_  
 Quantity \_\_\_\_\_  
 CSI Section 11400  
 Approved \_\_\_\_\_  
 Date \_\_\_\_\_

### Models

- 36ER32-3
- 36ES32-3



Model 36ER32-3  
 Combination All Purpose Plate  
 And Open Element Top Range

### Standard Features

- Stainless steel front and sides
- Stainless steel front rail
- Chrome plated, 4 position removable rack guides w/oven rack
- Electro-mechanical heavy-duty oven thermostat
- Two tubular elements
- 24" (610mm) all purpose plate controlled by two thermostats, 290°/650°F (143°/343°C)
- 3" (76mm) high stainless steel vent raiser
- Heat resistant, cool to touch oven door handle
- 6" (152mm) adjustable chrome plated legs (NSF)
- One Year limited parts & labor (USA & Canada)

### Options & Accessories

- Stainless steel main back (R&S models)
- Extra oven rack
- Set of (4) Polyurethane (non-marking) swivel casters complete with front brakes
- 6" (152mm) adjustable stainless steel legs
- Marine equipment - storm rails for pots, hand rails, oven door latch, drip tray stop and deck fasteners

NOTE: Ranges supplied with casters must be installed with an approved restraining device.

### Specifications

Heavy-duty electric range, Model 36ER32-3, combination top ; consisting of one 24" (610mm) x 24" (610mm), all-purpose plate and one 12"(305mm) open tubular element section.

Full size oven is controlled by a heavy-duty electromechanical thermostat.

Top plate has two thermostat-controlled heat zones, each element is controlled by a three-heat switch.

Oven interior is 13.5" (343mm) H x 26.25" (667mm) W 29" (533mm) D.

Oven rack with removable four-position chrome plated rack guides, front and rear stainless steel grease troughs.

Stainless steel front and sides.

Circuit breakers or fuses provide electric circuit protection.

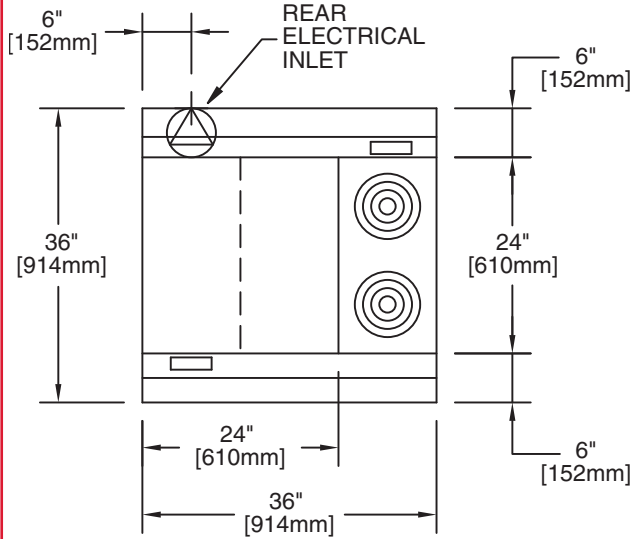
Available with casters or for dais mount.

Model 36ES32-3 has storage base in lieu of oven section.



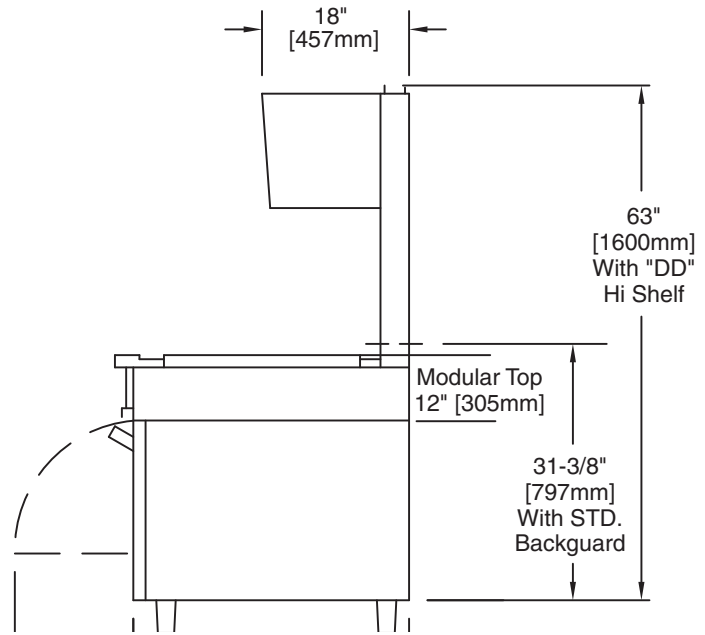
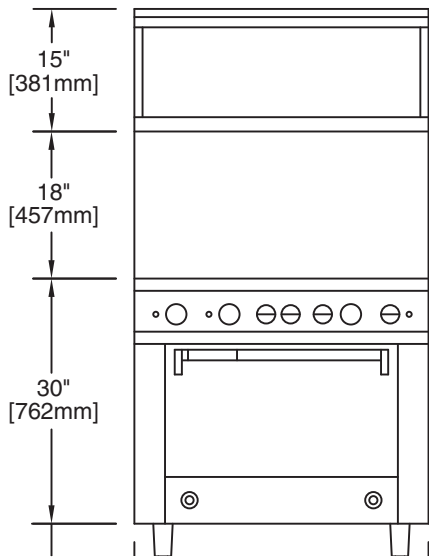
36E Series Heavy Duty Combination Top Range

## 36E Series Heavy Duty Combination Top Range



### Shipping Cubic Feet 51; Modular 20

Garland products are not approved or authorized for home or residential use, but are intended for commercial applications only. Garland will not provide service, warranty, maintenance or support of any kind other than in commercial applications.



MODEL	TOTAL kW	3-PHASE kW PER PHASE ALL VOLTAGES			NOMINAL AMPERES PER LINE								
					SINGLE PHASE		THREE PHASE			THREE PHASE			
		X-Y	Y-Z	X-Z	208V	240V	208V			240V			
						X	Y	Z	X	Y	Z		
36ER32-3	20.7	6.5	4.2	10	99	88	69	45	60	61	40	53	
36ES32-3	14.2	5	4.2	5	68	60	42	39	39	37	34	34	

CLEARANCES			
ENTRY		TO COMBUSTIBLE WALL	
CRATED	UNCRATED	SIDES	REAR*
41-1/4" (1048mm)	36-1/4" (921mm)	3" (76mm)	1/2" (13mm)

Garland reserves the right to make changes to the design or specifications without prior notice.

Garland Commercial Ranges Ltd.  
1177 Kamato Road,  
Mississauga, Ontario  
L4W 1X4 CANADA

General Inquires 1-905-624-0260  
USA Sales, Parts and Service 1-800-424-2411  
Canadian Sales 1-888-442-7526  
Canada or USA Parts/Service 1-800-427-6668

[www.garland-group.com](http://www.garland-group.com)  
6858A  
01/25

