

Black Diamond 24" Standard Series Gas Griddle

BDECTG-24/NG

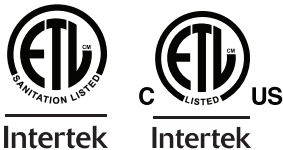


Enhance your commercial kitchen with this Black Diamond Gas Griddle, designed for durability and efficiency. Made from stainless steel and cast iron, it withstands rigorous use. With a 2 burner capacity, each producing 30,000 BTUs, it ensures powerful cooking. Manual ignition and control offer precise operation. Easy cleaning with a stainless steel drip tray and adjustable legs adds convenience to your culinary tasks.

FEATURES AND CONSTRUCTION

- Made from durable stainless steel for long-lasting use
- Delivers a powerful 60,000 BTUs for efficient cooking
- Equipped with 2 manual burners for versatile cooking options
- Ideal for high-volume cooking needs
- Adjustable legs ensure stability on any surface
- Includes a 3/4" rear NPT gas inlet and gas connection
- Manual ignition and control for precise operation
- Maintains optimal cooking conditions for a variety of dishes
- Covered by the Black Diamond One-Year Limited Warranty
- ETL and ETL Sanitation listed for safety and performance

3RD PARTY APPROVALS



WARRANTY (USA / CANADA)

1 Year Limited Warranty

Contact Admiral Craft Equipment for details at 1-877-672-7740



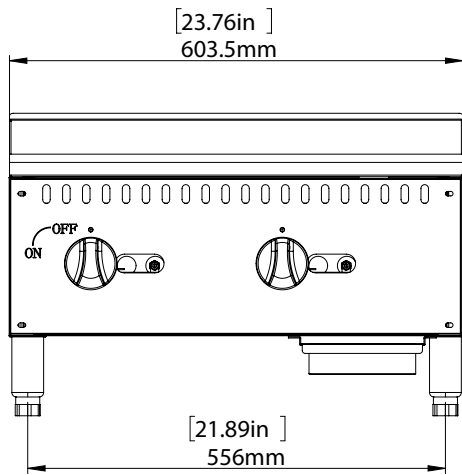
INCLUDED COMPONENTS

- (4) Adjustable Legs
- (2) Gas Conversion Orifice
- (1) Relief Valve
- (1) Drip Tray

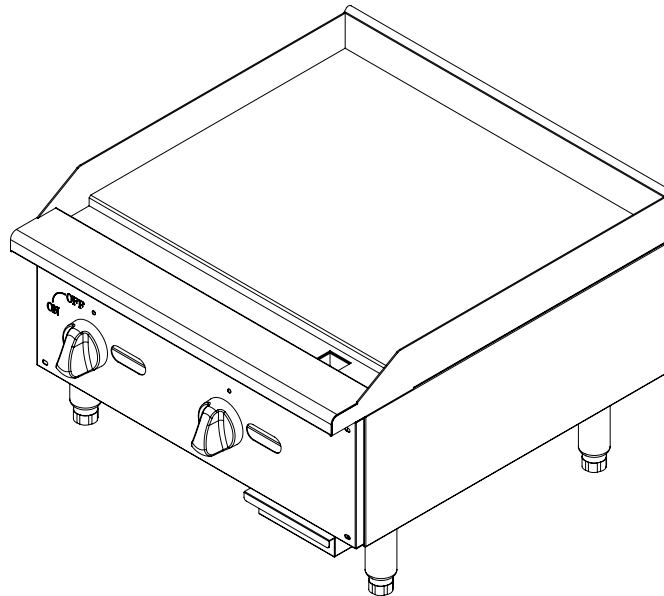
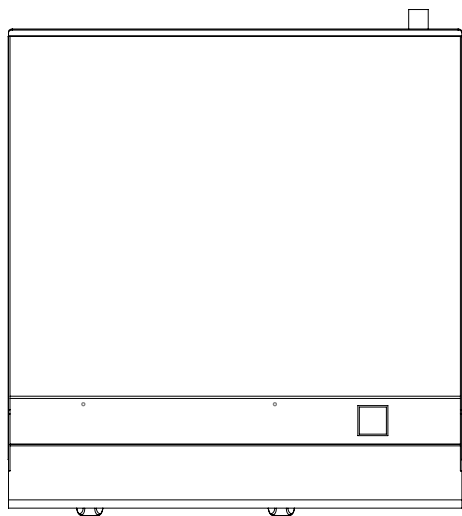
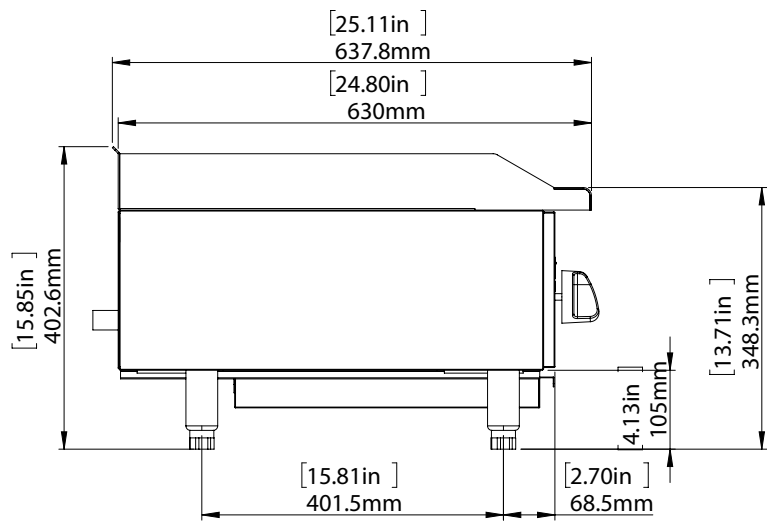
BLACK DIAMOND® Black Diamond 24" Standard Series Gas Griddle

BDECTG-24/NG

FRONT



SIDE



TOP

Gas

Ignition Type	Total BTU/hr	Total Number of Burners	Cooking Surface	Number of Drip Trays	Assembled Dimensions	Item Weight lbs	Shipping Weight lbs
---------------	--------------	-------------------------	-----------------	----------------------	----------------------	-----------------	---------------------

Manual	60000	2	Steel	1	25.11" x 23.76" x 15.84"	125.7	161.0
--------	-------	---	-------	---	--------------------------	-------	-------

ADDITIONAL INFORMATION

- Liquid Propane (LP) or Natural Gas (NG) units available. Field convertible from LP to NG and vice versa. Electricity not needed.
- Minimum supply pressure is 4" W.C. for natural gas and 10" W.C. for propane.
- Gas powered appliances must always be indoors, under an approved exhaust system with grease removal filters and a fire protection system.

Due to periodic changes in designs, methods, procedures, policies and regulations, the specifications contained in this document are subject to change without notice. While we exercise good faith efforts to provide information that is accurate, we are not responsible for errors or omissions in information provided or conclusions reached as a result of using the specifications. By using the information provided, the user assumes all risks in connection with such use.