



PROJECT _____

ITEM NO: _____

QUANTITY: _____

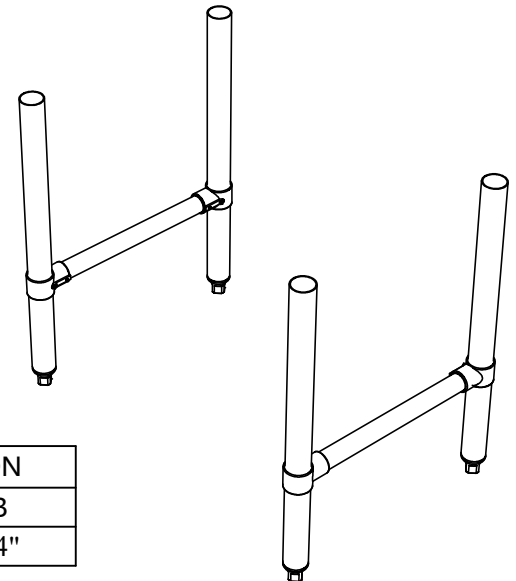
Underbar Leg Set

FEATURES & CONSTRUCTION:

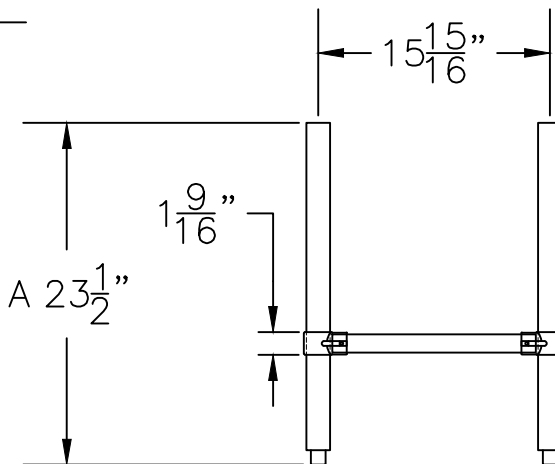
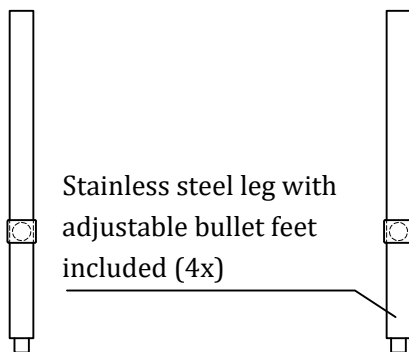
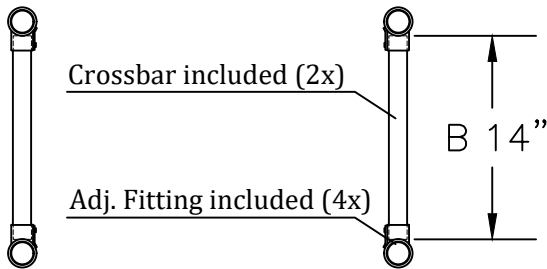
- Adjustable stainless steel leg with aluminum die cast fittings to secure cross-bars to legs for added stability.
- All units shipped K.D., but easily assembled.

MATERIAL:

Leg: 1-5/8" type 201 stainless steel tubing
 Crossbar: 1-1/4" type 201 stainless steel tubing
 Bullet Feet: 1" adjustable stainless steel bullet feet



MODEL#	LEG DIMENSION	
	A	B
SM-UBLS18	23-1/2"	14"



Aluminum Die Cast Fitting for Adj. Crossbar



1" Adjustable Stainless Steel Bullet Feet



Rev. 09/24

SAPPHIRE MANUFACTURING
 Tel: 718-543-2111
 Fax: 718-543-2121

info@sapphiremanufacturing.com
 WWW.SAPPHIREMANUFACTURING.COM