

Company:

Job:

Notes:

Item#:



MANUFACTURING INC.

## WORK TABLES - 18ga/400 Beveled Square Edge 5" BACKSPLASH TOP WITH STAINLESS STEEL LEGS & UNDERSHELF

### FEATURES & CONSTRUCTION

#### STAINLESS STEEL SERIES

- Top is fabricated with 1-1/2" Beveled Square Edge front, 5" Backsplash and flat edge on both ends.
- Top reinforced with two (2) sound deadening hat channels
- Top and undershelf edges formed with hemmed edges to provide extra rigidity and safe to touched finished.
- Adjustable undershelf secure to leg with aluminum die cast clamp corners.
- All exposed welded areas smooth polished to brush finish sanitary #4.
- Welded leg socket for removable table legs.
- 84" tables and longer come with 6 legs
- All tables shipped K.D. and easily assembled.

#### MATERIAL

- Top: 18 Gauge 430 Stainless Steel
- Shelf: 18 Gauge Stainless Steel
- Leg: 1-5/8" Stainless Steel Tubing with 1" Adjustable Stainless Steel Bullet Feet
- Hat Channels: Stainless Steel



Hat Channel Supported



Square Edge



45° Slanted Backsplash



Aluminum Die Cast Clamp for Adjustable Under Shelf



1" Adjustable Stainless Steel Bullet Feet

#### WEIGHT CAPACITY FOR DISTRIBUTED LOAD IN LBS

5" BACKSPLASH TOP TABLES WITH UNDERSHELF	UP TO 72" LENGTH	84" + WITH CENTER LEG
18 ga Table Top	450	550
Standard Undershelf (Stainless Steel)	300	450

Model #	SIZE			G.W.
	W	L	H	
SMTEB-2424S	24"	24"	35"	33 lbs
SMTEB-2430S	24"	30"	35"	38 lbs
SMTEB-2436S	24"	36"	35"	42 lbs
SMTEB-2448S	24"	48"	35"	52 lbs
SMTEB-2460S	24"	60"	35"	55 lbs
SMTEB-2472S	24"	72"	35"	72 lbs
SMTEB-2484S	24"	84"	35"	87 lbs
SMTEB-2496S	24"	96"	35"	97 lbs
SMTEB-24108S	24"	108"	35"	107 lbs
SMTEB-24120S	24"	120"	35"	117 lbs

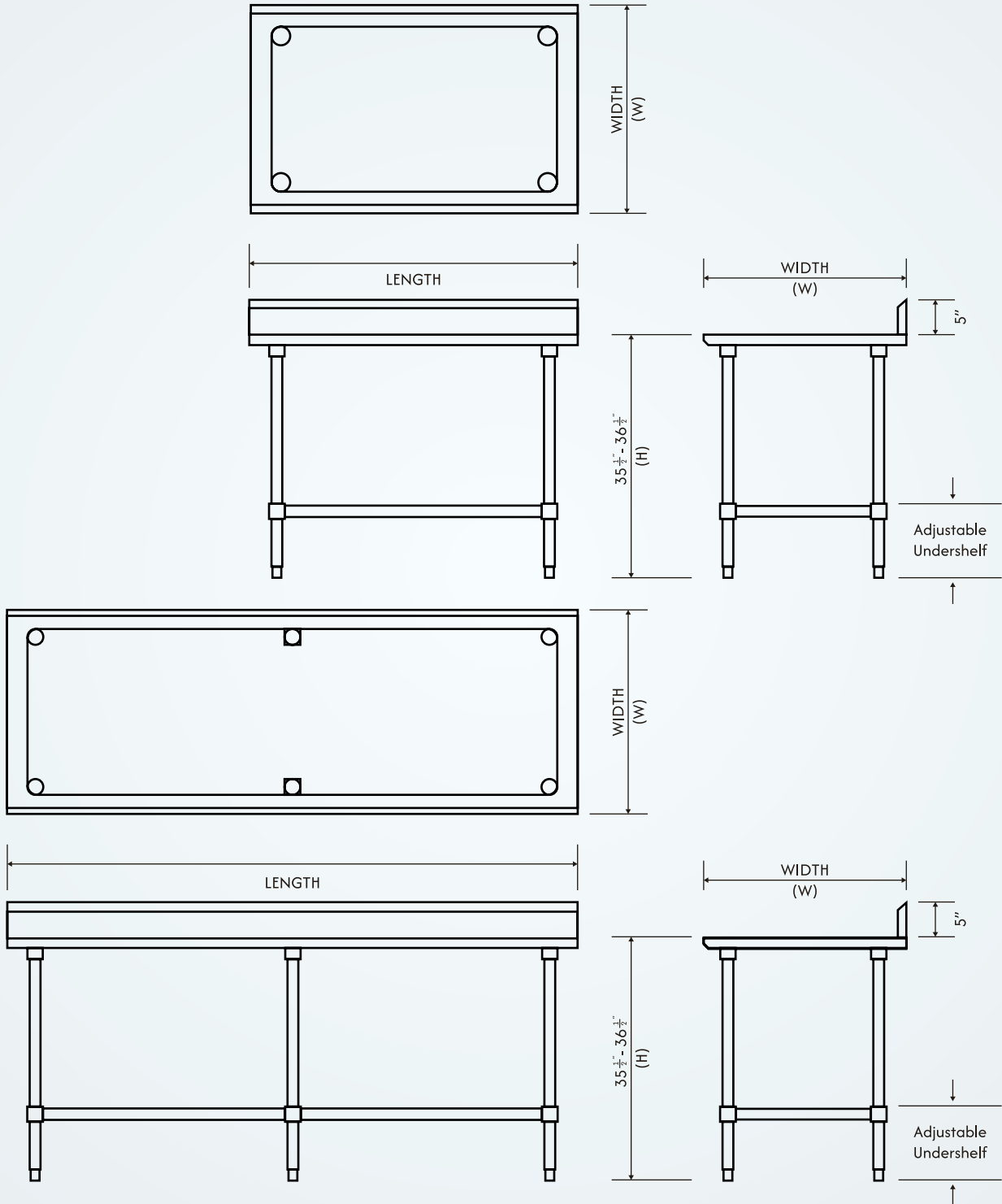
Model #	SIZE			G.W.
	W	L	H	
SMTEB-3024S	30"	24"	35"	37 lbs
SMTEB-3030S	30"	30"	35"	43 lbs
SMTEB-3036S	30"	36"	35"	49 lbs
SMTEB-3048S	30"	48"	35"	60 lbs
SMTEB-3060S	30"	60"	35"	72 lbs
SMTEB-3072S	30"	72"	35"	84 lbs
SMTEB-3084S	30"	84"	35"	101 lbs
SMTEB-3096S	30"	96"	35"	113 lbs
SMTEB-30108S	30"	108"	35"	124 lbs
SMTEB-30120S	30"	120"	35"	136 lbs



\* 84" tables and longer come with 6 legs



**WORK TABLES - 18ga/400 Beveled Squad Edge**  
5" BACKSLASH TOP WITH STAINLESS STEEL LEGS & UNDERSHELF



\* 84 tables and longer  
come with 6 legs

Specifications subject to change without notice - All dimensions are typical (Tolerance 1/4")