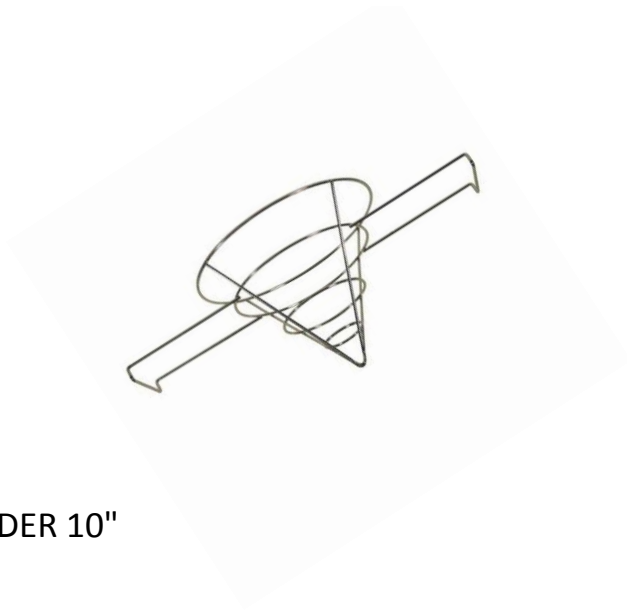




An Affiliate of Cellucap Mfg.
1895 Brannan Rd
McDonough, GA 30253
770-474-7575

Spec Sheet



Item	FCH10-6
Description	FILTER CONE HOLDER 10"
Case Pack	6
Ti	10
Hi	2
Cases per Pallet	20
Cube	2.28
Case Dimension	<u>19.50</u> L <u>10.25</u> W <u>19.75</u> H
Gross Weight	5.25 LBS
UCC (14 Digit)	10051098001766
UPC (12 Digit)	051098001769