

#32 Stainless Steel Meat Grinder With 2.75” Throat Opening

ITEM: 39714
MODEL: MG-IT-0032-C



Reliable and effortless

This heavy-duty meat grinder and mincer offers a great value with a proven record of dependability and performance. Ideal for any restaurant, deli or small butcher shop.

FEATURES:

- Made entirely of high quality stainless steel
- Equipped with a safety microswitch
- Includes a larger tray
- Hand protection features
- European-style knife

1-833-487-3686

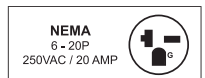
 www.trentoequipment.com

 sales@trentoequipment.com

Follow us on social media
[@trentoequipment](#)



Authorized Dealer





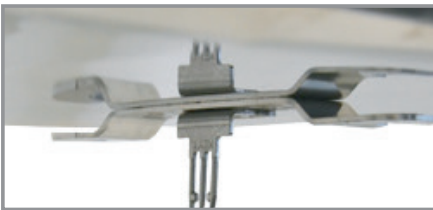
Ventilated motor with thermal protection



Structured in AISI 304 stainless steel



Features a large hopper with hand protection and ABS plastic pusher



Equipped with a safety microswitch



1/4" (6 mm) plate included



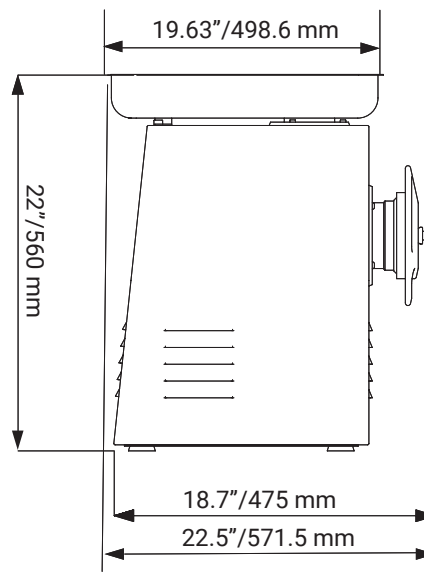
ON/OFF Switch with waterproof rubber protection

Technical Specification

Item	39714
Model	MG-IT-0032-C
Throat Opening	2.75" (69 mm)
Production (Per Hour)	1320 lb. (600 kg.)
Power	2200 W / 3 hp
Electrical	220V / 60 Hz / 1Ph
Amps	16.6 A
Net Weight	52 kg. (114 lb.)
Net Dimensions (WDH)	11.8" x 22.5" x 22" (300 x 571 x 560 mm)
Gross Weight	55 kg. (121 lb.)
Gross Dimensions (WDH)	16.9" x 24.4" x 25.6" (430 x 620 x 650 mm)
Plug Type	NEMA 6 - 20P

TECHNICAL DRAWINGS AND DIMENSIONS

Side View



Front View

