



# SPEC SHEET

## KoolMore Commercial Granite Top Refrigerated Pizza Prep Counter With Refrigerated Condiment Rail

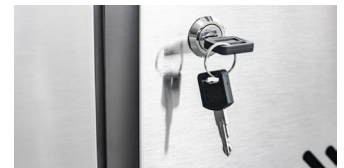
Model: KM-RPPS-2D59-GRT

### FEATURES

- Durable Granite Counter: Provides a robust and aesthetic work surface.
- Refrigerated Cabinet Storage: Keeps ingredients fresh and accessible.
- Easy Access Refrigerated Condiment Rail: Enhances preparation efficiency.
- Automatic Defrost: Maintenance-free operation.
- Digital Temperature Control: Ensures precise temperature management.
- Swing Door Style: Easy access to the interior.



### CLOSE UP IMAGES



# TECHNICAL SPECS

## Dimensions

Product Length/Width/Height	59.3 in, 31.5 in, 38 in
Counter Depth	31.5 In.
Counter Top Thickness	1.18 In.
Depth (Excluding Handles)	31.5 In.
Depth (Including Handles)	31.5 In.
Depth (Less Door)	31.5 In.
Depth With Door Open 90 Degrees (In)	49.02 In.
Interior Depth	22.44
Interior Height	37.36
Interior Width	26.77
Total Height	56.5
Product Weight	507 lbs, 8 oz
Power Cord Length	6.5 Ft.

## Capacity

Net Cubic Feet	12.99 Cu. Ft.
Number of Doors	2
Number of Shelves	2

## Features & Materials

Feature One	Durable Granite Counter
Feature Two	Refrigerated Cabinet Storage
Feature Three	Easy Access Refrigerated Condiment Rail
Door Style	Swing
Exterior Material	Stainless-Steel 430
Hinge Location	Top and Bottom of Door
Interior material	Stainless-Steel 201
Shelf Material Type	Coated Metal Wire
Ambient Temperature Range	32-89.6 F
Color - Door Handle(s)	Stainless-Steel
Color Finish	Stainless-Steel
Compressor Brand	Embraco
Compressor Location	Right-Hand Side
Defrost Type	Automatic Defrost
Digital Temperature Control	Yes
Exhaust Vent Location	Bottom of Right Side
Refrigerant Type	R290
Temperature Control Type	Digital Thermostat
Temperature Range	36-46 F
Casters	4
Noise (db)	50 db

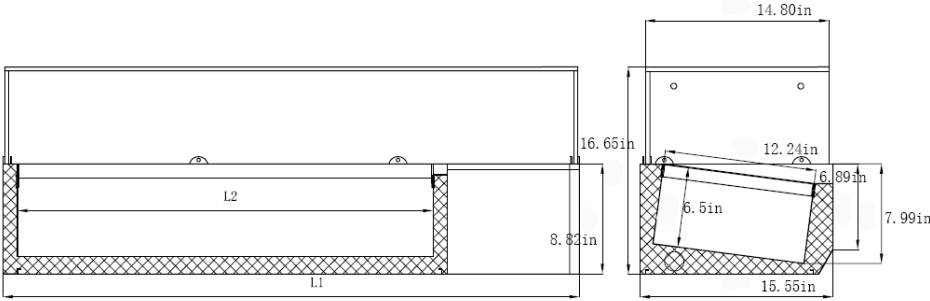
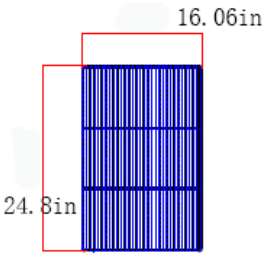
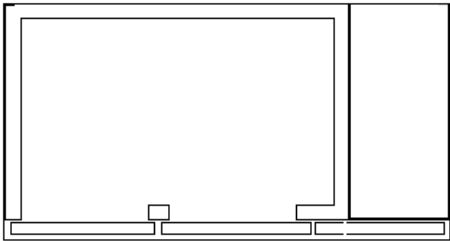
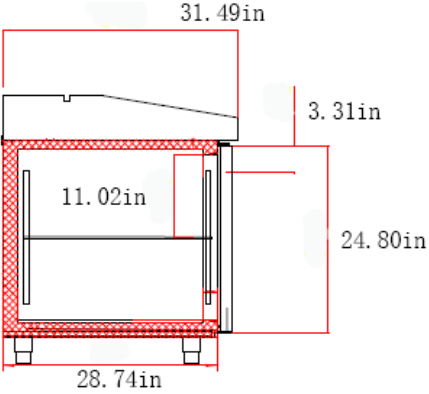
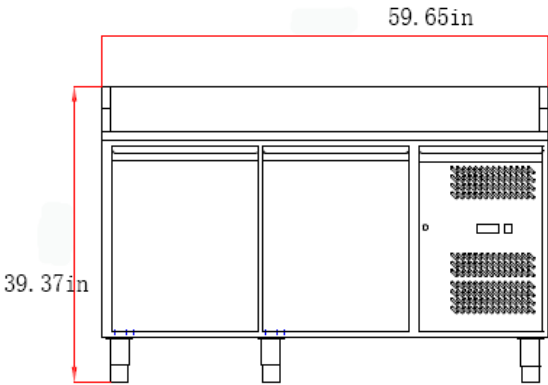
## Electric Data

Amps	2
Hertz	60
Horsepower	0.25
Phase	1
Plug Type	NEMA 5-15P
Voltage	115
Wattage	230 W

## Refrigerated Stainless Steel Pan Holder

Product Length/Width/Height:	59.6 in 15.55 in 17.13 in
Pan Capacity (Pans Not Included)	5 1/3 Size GN Pans + 1 1/2 Size GN Pan
Compressor Location	Right-Hand Side of Unit
Plug Type	NEMA 6-15P
Power Cord Length	5.91 Ft.
Voltage	110

# Plan View



706 Eastern Parkway STE 1G, Brooklyn NY 11213  
718-576-6342  
info@koolmore.com