

ITEM #



# NEAPOLITAN Series Gas-Fired Oven, Brick NP180G

Experience a level of quality that is Italian-inspired, but manufactured for the needs of North American restaurants. Marra Forni brick ovens combine traditional artisanal workmanship, such as a full refractory brick enclosure for outstanding performance, with modern manufacturing technology and design innovation. Each oven is hand-made, brick-by-brick, using the same time-proven techniques that masons have used for generations. As functional art for the front of the house, or built into a wall or other structure for ease of cleaning, each oven is completely customizable for specific needs and decors.

Each model features our unique Marra Stone® stone-hearth cooking surface as its heart. This proprietary refractory brick surface includes volcanic material, for outstanding cooking results as well as constant temperatures for consistency. Insulated construction allows heat to be absorbed and retained in the oven cavity for improved efficiency. The oven is operated by a MarraSmart® fully-programmable digital touchscreen controller to maximize thermal control for ideal baking results, over an extended temperature range between 200-950°F (93-510°C).

Marra Forni Neapolitan series ovens combine time-honored construction practices with modern control systems and features. Each is handcrafted in the style of brick pizza ovens made famous in Naples, Italy, and used by pizzaioli worldwide. These ovens are approved and certified "VPN" (Vero Pizza Napoletana), proudly showing their adherence to strict internationally-recognized standards governing oven construction and suitability for the Neapolitan-style pizza cooking process. While known best for cooking pizza, these ovens are designed to support a variety of cuisines and cooking applications.



### Standard Features

- Approved and certified "VPN" (Vero Pizza Napoletana) for adherence to traditional construction and pizza baking techniques pioneered in Naples, Italy
- MarraStone® stone hearth deck is of a refractory brick that includes volcanic material. This deck is both durable and highly porous, and is capable of maintaining cooking temperatures from 200-950°F (93-510°C) for consistent high-volume production
- MarraSmart® digital touch screen control technology is fully programmable and provides complete control of oven cooking conditions, as well as automatic timed on/off with menu selection and QR code scanning for maintenance videos
- Superior cooking performance and recovery based upon natural convective airflow within the oven chamber, and the heat retention of custom formulated refractory bricks
- Integrated "eyebrow" exhaust duct at the loading/unloading entrance is integrated into the structure of the oven dome, greatly reducing emissions into the room while enhancing staff visibility of oven interior
- 1-1/4" (32mm)-thick black granite ledge
- Removable front door
- Painted matte black steel front facade
- Heavy duty black powder-coated steel stand
- Customizable exterior tile selections
- Manufactured in the U.S.A.

### Cooking Capacity (typical)

- 8" (200mm) pizzas: 19
- 10" (250mm) pizzas: 17
- 12" (300mm) pizzas: 15
- 16" (400mm) pizzas: 11

Production capacity varies depending upon type of food product being cooked, food preparation and set temperature.

**Total Cooking Surface 27.39 sq. ft. (2.54 sq. m)**

**Cooking Deck Diameter 70-7/8" (1800mm)**



ANSI Z83.11 | CSA 1.8 | NSF/ANSI 4

### Configuration Options (Check all that apply)

#### Fuel Type

- Natural Gas
- Liquid Propane Gas

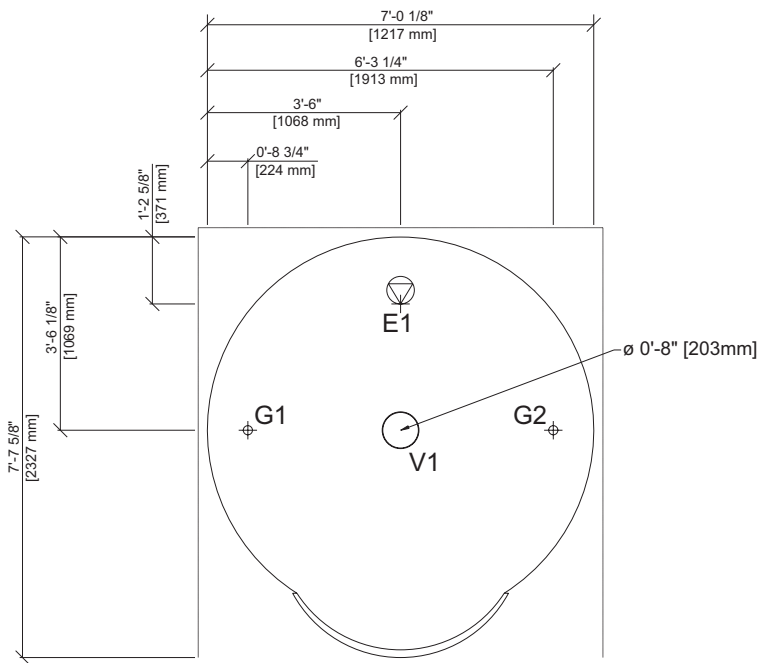
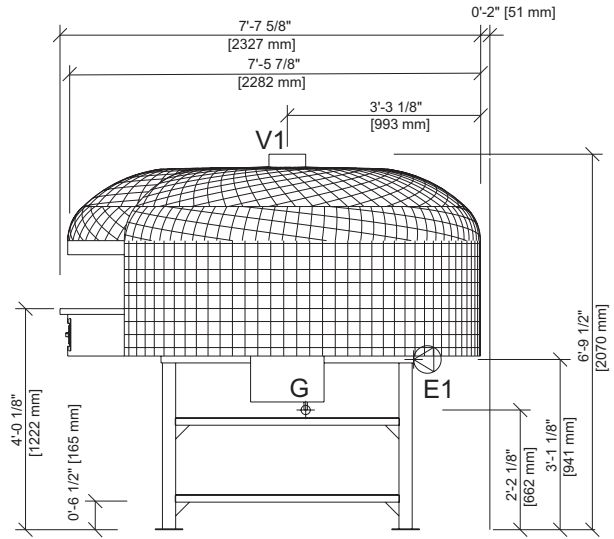
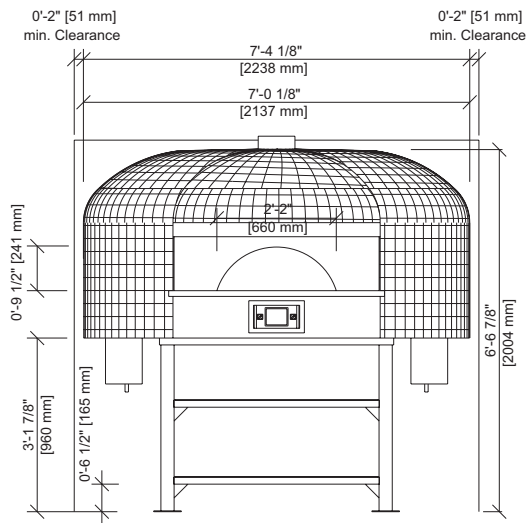
#### Options

- Direct Ventilation (quoted separately)
- Exhaust Fan with Variable Speed Fan Control
- Integrated Fan Interlock
- Additional Gas Burner
- Gas Regulator (1 required per burner)
- 4' (1219mm) Quick Disconnect Hose (1 required per burner)
- Stainless Steel Facade
- Stainless Steel Stand
- Interior Light Box
- Customized Exterior Tile Upgrade
- Base Enclosure (Side Panels)
- Base Enclosure (Full Skirt Enclosure)
- Front-Mounted Landing Table
  - Left
  - Right
  - Both

#### Accessories

- Dough Tray
- Dough Tray Lid(s)
- Dough Tray Dolly
- Standard Peel Tool Kit
- Deluxe Peel Tool Kit
- Wall Mounted Tool Rack

**NEAPOLITAN Series**  
**NP180G**



**Electrical connection**

4' (1.22m) flexible cord with NEMA 5-15P plug provided



**Ventilation connection**

8" (203mm) dia.



**Gas connection (1 or 2)**

3/4" NPT. Gas-suitable flex hose with quick disconnect required (supplied by others)

*For utility loads and connection details, refer to Page 3 of this spec sheet.*

**All specifications are subject to change without notice, based on Marra Forni's commitment to ongoing product development and improvement measures. Ovens are designed only for the cooking of manufacturer-approved food products in commercial and institutional settings, and should not be used for any other purpose.**

# NEAPOLITAN Series

## NP180G



### Electrical Connection Requirements

Electrical supply	Peak load ampacity	Min. supply ampacity	Max. breaker/disconnect	Plug	Cord
110V 50/60 Hz, 1 Ph	12A	15A	15A	NEMA 5-15P	4' (1.22m)

4' (1.22m) flexible cord with plug provided. Use of a GFCI (ground fault connection interruptor) outlet is not recommended for this appliance. Electronic burner ignition systems may frequently engage such a device and/or suffer from ignition failure as a result. If a GFCI outlet must be used, please consult with the factory for assistance.

### Ventilation Connection Requirements

Connection	Volume	Static Pressure
8" (203mm) round collar	150 CFM 255 m <sup>3</sup> h	0.01" W.C. 2.5 Pa

Oven may be installed with an approved direct vent system, or an approved Type 1 exhaust hood system. Ventilation system must comply with all applicable local and national codes.

If direct ventilation is desired, a Marra Forni-designed optional vent system is available as an option and is strongly recommended. This option also requires the exhaust fan (with variable speed fan control) option.

If not using a Marra Forni-supplied direct ventilation connection, determining correct ventilation and code compliance is the responsibility of others.

### Gas Connection Requirements

Maximum (per burner)	Minimum (per burner)	Avg./burner over 10 hr. duty cycle (Optional gas regulator reqd.)	Supply connection (1 reqd. per burner)	Natural gas	Propane
145,000 BTU 42.5 kW	70,000 BTU 20.5 kW	84,000 BTU 24.6 kW	Orifice diameter	3/4" NPT	3/4" NPT
			Air shutter gap	0.173"	0.125"
			Gas inlet supply pressure	1/4" (6.4mm)	3/8" (9.5mm)
			Input manifold pressure	10-14" W.C. (2.5-3.5 kPa)	10-14" W.C. (2.5-3.5 kPa)
			Output man. pressure, low fire	10" W.C. (2.5 kPa)	10" W.C. (2.5 kPa)
			Output man. pressure, high fire	1.8" W.C. (0.5 kPa)	1.5" W.C. (0.4 kPa)
				5.8" W.C. (1.4 kPa)	5.2" W.C. (1.3 kPa)

Supply via one (1) gas-suitable flex hose per connection, with 3/4" NPT connection and quick disconnects (hoses and disconnects supplied by others). Each burner (if more than one [1]) should be treated as a separate appliance for purposes including gas supply requirements, presence of flow regulators, heat load calculations for the room, and makeup air.

### Dimensional Information

- Minimum clearance: 2" (51mm) on all sides and rear from combustible surfaces, 0" (0mm) from non-combustible surfaces, 18" (450mm) side clearance recommended for service access
- Exterior: (H x W x D): 81-1/2" x 84-1/8" x 91-3/8" (2070 x 2137 x 2327mm)
- Shipping: (H x W x D): Consult factory
- Weight: 6,500 lbs. (2948 kg)
- Crated Weight: Consult factory
- Freight: shipped via flatbed

### Specification

NP180G Item # \_\_\_\_\_

Unit will be an ETL-listed Marra Forni NP180G freestanding gas heated brick oven, intended for cooking and baking pizza and other approved food products.

Operating voltage will be 110V, 50/60 Hz, 1 Ph.

Unit heating will be provided by forced-air gas burners.

Unit will feature a stone hearth cooking deck composed of a refractory brick composition, including volcanic material, to provide and maintain cooking temperatures up to 950°F (510°C).

Unit will feature a programmable electronic controller with selectable menus to accommodate a variety of cooking requirements, automatic timed on/off features, and display of QR codes to access documentation including service and maintenance videos.

Unit cooking area will measure 70-7/8" (1800mm) in diameter. Door opening will measure 26" (660mm) in width and 9-1/2" (241mm) in height.

Unit will feature a brick interior for superior heat retention and distribution within the cooking chamber.

Unit will feature a fully tiled exterior.

Unit will include a removable front door.

Unit will include an oven mantle featuring a 1-1/4" (32mm)-thick black granite ledge.

Unit will include a black powder-coated steel stand and painted matte black steel front facade.

Unit will be approved and certified "VPN" (*Vero Pizza Napoletana*) for adherence to internationally-recognized standards governing oven construction and suitability for the traditional Neapolitan-style pizza cooking process.

Unit will be manufactured in the U.S.A. and comply with all applicable FTC requirements for this status.

ITEM #



## NEAPOLITAN Series Gas-Fired Oven, Brick, Pass-Through NP180G/PT

Experience a level of quality that is Italian-inspired, but manufactured for the needs of North American restaurants. Marra Forni brick ovens combine traditional artisanal workmanship, such as a full refractory brick enclosure for outstanding performance, with modern manufacturing technology and design innovation. Each oven is hand-made, brick-by-brick, using the same time-proven techniques that masons have used for generations. As functional art for the front of the house, or built into a wall or other structure for ease of cleaning, each oven is completely customizable for specific needs and decors.

Each model features our unique Marra Stone® stone-hearth cooking surface as its heart. This proprietary refractory brick surface includes volcanic material, for outstanding cooking results as well as constant temperatures for consistency. Insulated construction allows heat to be absorbed and retained in the oven cavity for improved efficiency. The oven is operated by a MarraSmart® fully-programmable digital touchscreen controller to maximize thermal control for ideal baking results, over an extended temperature range between 200-950°F (93-510°C).

Marra Forni Neapolitan series ovens combine time-honored construction practices with modern control systems and features. Each is handcrafted in the style of brick pizza ovens made famous in Naples, Italy, and used by pizzaioli worldwide. These ovens are approved and certified "VPN" (*Vero Pizza Napoletana*), proudly showing their adherence to strict internationally-recognized standards governing oven construction and suitability for the Neapolitan-style pizza cooking process. Pass-Through Neapolitan ovens can bridge the front and back of house by providing access to the cooking chamber from both sides, enhancing operator efficiency. They can also be used in a standalone island installation in the front of house, for a unique patron dining experience.



### Standard Features

- Approved and certified "VPN" (*Vero Pizza Napoletana*) for adherence to traditional construction and pizza baking techniques pioneered in Naples, Italy
- MarraStone® stone hearth deck is of a refractory brick that includes volcanic material. This deck is both durable and highly porous, and is capable of maintaining cooking temperatures from 200-950°F (93-510°C) for consistent high-volume production
- MarraSmart® digital touch screen control technology is fully programmable and provides complete control of oven cooking conditions, as well as automatic timed on/off with menu selection and QR code scanning for maintenance videos
- Pass-through design permits full access to the cooking chamber from opposite sides, permitting operation between the front and back of house, or use as a standalone island installation in the front of house
- Superior cooking performance and recovery based upon natural convective airflow within the oven chamber, and the heat retention of custom formulated refractory bricks
- Integrated "eyebrow" exhaust duct at the loading/unloading entrances are integrated into the structure of the oven dome, greatly reducing emissions into the room while enhancing staff visibility of oven interior
- 1-1/4" (32mm)-thick black granite ledge
- Removable doors
- Painted matte black steel front facade
- Heavy duty black powder-coated steel stand
- Customizable exterior tile selections
- Manufactured in the U.S.A.

### Cooking Capacity (typical)

8" (200mm) pizzas: 19

10" (250mm) pizzas: 17

12" (300mm) pizzas: 15

16" (400mm) pizzas: 11

Production capacity varies depending upon type of food product being cooked, food preparation and set temperature.

**Total Cooking Surface 27.39 sq. ft. (2.54 sq. m)**

**Cooking Deck Diameter 70-7/8" (1800mm)**



Intertek

Intertek

ANSI Z83.11 | CSA 1.8 | NSF/ANSI 4

### Configuration Options (Check all that apply)

#### Fuel Type

- Natural Gas
- Liquid Propane Gas

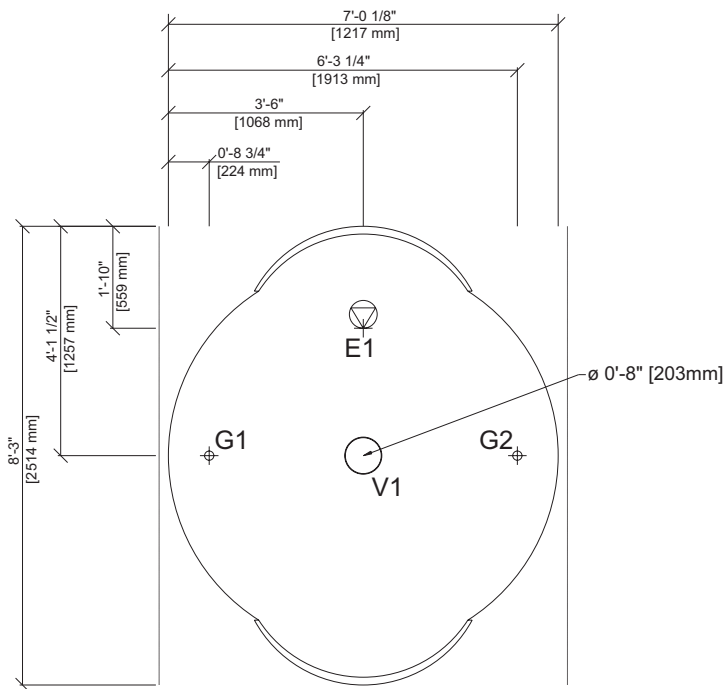
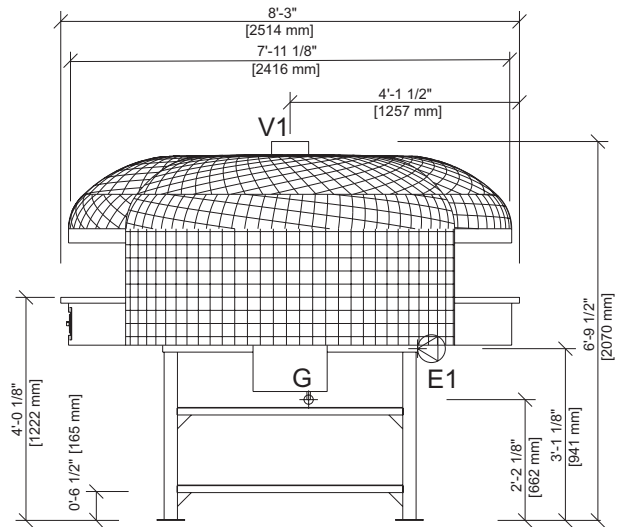
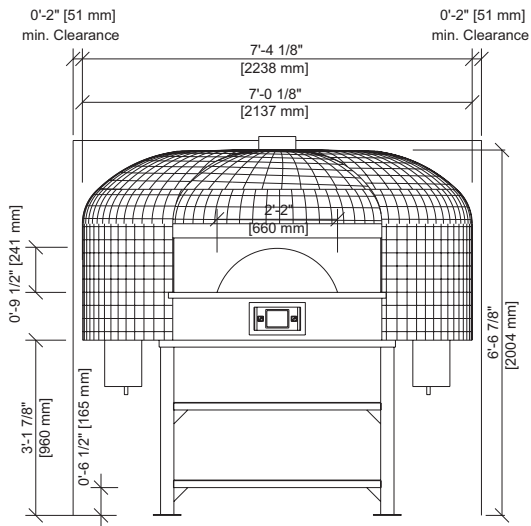
#### Options

- Direct Ventilation (quoted separately)
- Exhaust Fan with Variable Speed Fan Control
- Integrated Fan Interlock
- Additional Gas Burner
- Gas Regulator (1 required per burner)
- 4' (1219mm) Quick Disconnect Hose (1 required per burner)
- Stainless Steel Facade
- Stainless Steel Stand
- Shelf Delete (for improved burner access)
- Interior Light Box
- Customized Exterior Tile Upgrade
- Painted Exterior (instead of standard tiles)
- Base Enclosure (Side Panels)
- Base Enclosure (Full Skirt Enclosure)
- Front-Mounted Landing Table
  - Left
  - Right
  - Both

#### Accessories

- Dough Tray
- Dough Tray Lid(s)
- Dough Tray Dolly
- Standard Peel Tool Kit
- Deluxe Peel Tool Kit
- Wall Mounted Tool Rack

**NEAPOLITAN Series**  
**NP180G/PT**



**Electrical connection**

4' (1.22m) flexible cord with NEMA 5-15P plug provided



**Ventilation connection**

8" (203mm) dia.



**Gas connection (1 or 2)**

3/4" NPT. Gas-suitable flex hose with quick disconnect required (supplied by others)

*For utility loads and connection details, refer to Page 3 of this spec sheet.*

**All specifications are subject to change without notice, based on Marra Forni's commitment to ongoing product development and improvement measures. Ovens are designed only for the cooking of manufacturer-approved food products in commercial and institutional settings, and should not be used for any other purpose.**

# NEAPOLITAN Series

## NP180G/PT



### Electrical Connection Requirements

Electrical supply	Peak load ampacity	Min. supply ampacity	Max. breaker/disconnect	Plug	Cord
110V 50/60 Hz, 1 Ph	12A	15A	15A	NEMA 5-15P	4' (1.22m)

4' (1.22m) flexible cord with plug provided. Use of a GFCI (ground fault connection interruptor) outlet is not recommended for this appliance. Electronic burner ignition systems may frequently engage such a device and/or suffer from ignition failure as a result. If a GFCI outlet must be used, please consult with the factory for assistance.

### Ventilation Connection Requirements

Connection	Volume	Static Pressure
8" (203mm) round collar	150 CFM 255 m <sup>3</sup> /h	0.01" W.C. 2.5 Pa

Oven may be installed with an approved direct vent system, or an approved Type 1 exhaust hood system. Ventilation system must comply with all applicable local and national codes.

If direct ventilation is desired, a Marra Forni-designed optional vent system is available as an option and is strongly recommended. This option also requires the exhaust fan (with variable speed fan control) option.

If not using a Marra Forni-supplied direct ventilation connection, determining correct ventilation and code compliance is the responsibility of others.

### Gas Connection Requirements

Maximum (per burner)	Minimum (per burner)	Avg./burner over 10 hr. duty cycle (Optional gas regulator reqd.)	Supply connection	
			Natural gas	Propane
145,000 BTU 42.5 kW	70,000 BTU 20.5 kW	84,000 BTU 24.6 kW	3/4" NPT	3/4" NPT
			Orifice diameter	0.173"
			Air shutter gap	1/4" (6.4mm)
			Gas inlet supply pressure	10-14" W.C. (2.5-3.5 kPa)
			Input manifold pressure	10" W.C. (2.5 kPa)
			Output man. pressure, low fire	1.8" W.C. (0.5 kPa)
			Output man. pressure, high fire	5.8" W.C. (1.4 kPa)

Supply via one (1) gas-suitable flex hose per connection, with 3/4" NPT connection and quick disconnects (hoses and disconnects supplied by others). Each burner (if more than one [1]) should be treated as a separate appliance for purposes including gas supply requirements, presence of flow regulators, heat load calculations for the room, and makeup air.

### Dimensional Information

- Minimum clearance: 2" (51mm) on all sides from combustible surfaces, 0" (0mm) from non-combustible surfaces, 18" (450mm) side clearance recommended for service access, 8" (203mm) below both front granite mantles for opening clearance
- Exterior: (H x W x D): 81-1/2" x 84-1/8" x 95-1/8" (2070 x 2137 x 2416mm)
- Shipping: (H x W x D): Consult factory
- Weight: 6,500 lbs. (2948 kg)
- Crated Weight: Consult factory
- Freight: shipped via flatbed

### Specification

NP180G/PT Item # \_\_\_\_\_

Unit will be an ETL-listed Marra Forni NP180G/PT freestanding gas heated brick oven, intended for cooking and baking pizza and other approved food products.

Operating voltage will be 110V, 50/60 Hz, 1 Ph.

Unit heating will be provided by forced-air gas burners.

Unit will feature a stone hearth cooking deck composed of a refractory brick composition, including volcanic material, to provide and maintain cooking temperatures up to 950°F (510°C).

Unit will feature a pass-through design permitting full access to the cooking chamber from opposite sides.

Unit will feature a programmable electronic controller with selectable menus to accommodate a variety of cooking requirements, automatic timed on/off features, and display of QR codes to access documentation including service and maintenance videos.

Unit cooking area will measure 70-7/8" (1800mm) in diameter. Door opening will measure 26" (660mm) in width and 9-1/2" (241mm) in height.

Unit will feature a brick interior for superior heat retention and distribution within the cooking chamber.

Unit will feature a fully tiled exterior.

Unit will include removable doors.

Unit will include an oven mantle featuring a 1-1/4" (32mm)-thick black granite ledge.

Unit will include a black powder-coated steel stand and painted matte black steel front facade.

Unit will be approved and certified "VPN" (Vero Pizza Napoletana) for adherence to internationally-recognized standards governing oven construction and suitability for the traditional Neapolitan-style pizza cooking process.

Unit will be manufactured in the U.S.A. and comply with all applicable FTC requirements for this status.