



SERVING THE FOOD INDUSTRY SINCE 1951

58 Qt. (55 Liter) Buffalo Chopper / Bowl Cutter Food Processor – 220V, 3Ph, 22.5 HP (16.5 kW)

ITEM: 47834

MODEL: FP-ES-0055



Bowl cutting produces as much as 15% higher finished product yield.

has numerous features that demonstrate its wide possibilities of use, both universal cutter and emulsifier, to produce fine and delicate pastes.

You can chop and knead (kneading in two senses) to perfection any type of charcuterie (sausages, pates, etc.), vegetarian cuisine (onions, potatoes, carrots, lettuce, etc.), poultry, fish, processed cheeses, pastries, and many commodities of the food processing industry.

The presentation of the product is optimal, since the meat mix is not crushed, bruised or drained.

FEATURES:

- **Safety and Hygiene**

The bowl, made entirely of solid cast stainless steel, is protected by a front guard and has mechanized step to avoid spoiling of liquids/dough.

- **Modern and Reliable Design**

Very robust construction, stainless steel AISI304, and Solid bowl made of robust stainless steel cast, with liquid drain plug.

- **High Productivity and Efficient Power**

High cutting speed with large bowl capacity to suit your needs.

- **Easy Maintenance**

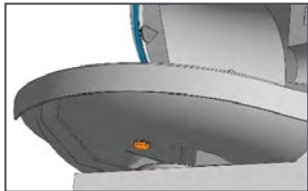
Thermal protection on all motors. Large openings to access the interior.



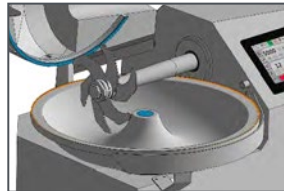
Knife head assembly: 6 or 3 Knives



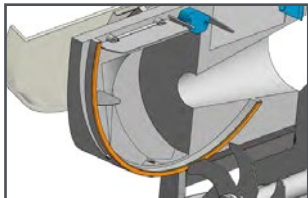
Talsa Control 15" Touch Screen



Bowl Drain Plug



Elevated Outer Bowl Rim



Removable Lid/Bowl Friction Band and Bowl Rim Scraper



Large Openings, Folding Electric Distribution Panel

Telephone: 1-800-465-0234

Fax: (905) 607-0234

Email: sales@omcan.com

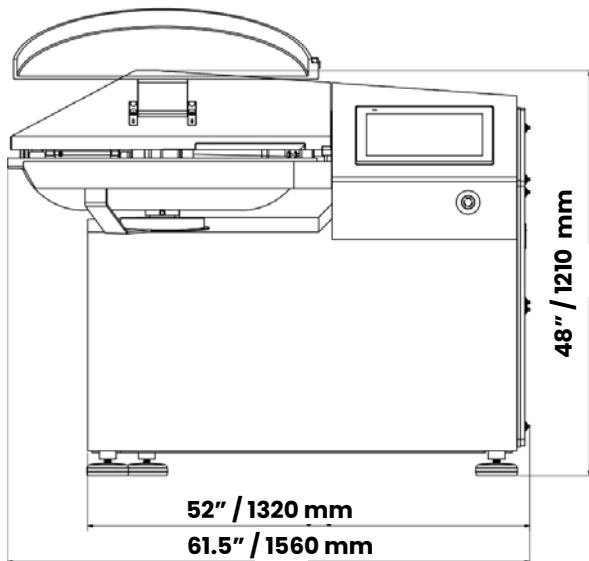
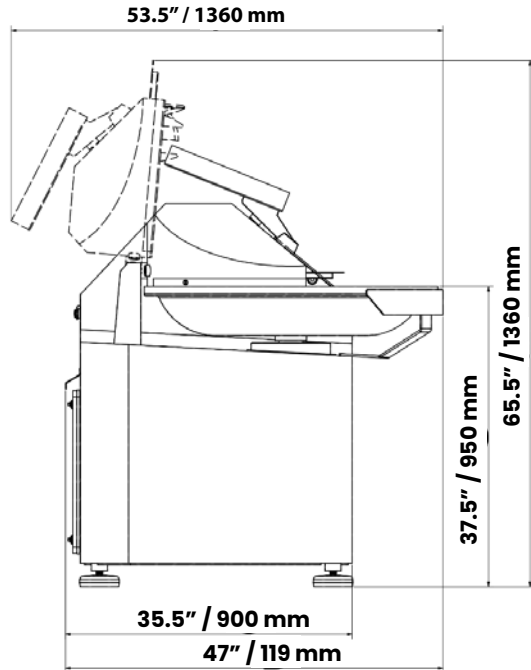
Website: www.omcan.com



Authorized Dealer



TECHNICAL DRAWING



TECHNICAL SPECIFICATION

Item	47834
Model	FP-ES-0055
Bowl Volume	58QT / 55 L
Mixture Bowl Capacity	88 lb. / 40 kg.
Machine Power	22.5 HP / 16,500 W
Knife Motor Power	20.5 HP / 15,000 W
Knife Speed (Variable)	500 - 5,000 RPM
Bowl Speed	4 - 20 RPM
Electrical	220V / 60Hz / 3Ph
Net Weight	1984 lb. / 900 kg.
Net Dimensions (WDH)	61.5" x 47" x 65.5" / 1,562 x 1,194 x 1,664 mm
Gross Weight	2,205 lb. / 1000 kg.
Gross Dimensions (WDH)	56" x 55" x 66" / 1,420 x 1,390 x 1,680 mm
Plug Type	Bare Wire