



HC2A-FGE/HGE

Two Section Heated Cabinet
Full and Half Glass Doors



HC2A-FGE/HGE
09/30/25
Item # 13748

Item #: _____

Project: _____

Qty: _____

AIA#: _____

W x D x H

55" x 33.5" x 79.5"*
*with 4" casters

HC2A-FGE



HC2A-HGE



Features

- ▶ Interior top-mounted heating element with fan to circulate heat through cabinet; heat shield foamed in next to heating element
- ▶ Additional storage fits 36 sheet pans
- ▶ Maximum interior storage capacity with smallest external footprint
- Glass doors are energy efficient multi-pane, argon-filled with locks
- Stainless steel interior with stainless exterior front, sides, and top
- Energy efficient interior LED light
- Solid state digital controller with temperature alarms and LED display (Fahrenheit or Celsius)
- Cabinet and doors are insulated with 2-3/8" of CFC free, foamed in place polyurethane
- Exclusive stepped door design to protect recessed door gasket (magnetic snap-in gasket)
- Self-closing doors with stay open feature
- One piece, full length handle
- Sturdy 8 gauge stainless steel hinge plate with welded hinge pin
- Field reversible doors
- Door locks are standard
- Stainless steel shelf supports
- (6) epoxy coated wire shelves are standard
- A single section can hold between 20-24 tray slides depending on the product
- Standard with 4" casters (two with brakes)
- 10 ft. cord and plug



Dimensions / Capacity

Two Section

| | HC2A-FGE | HC2A-HGE |
|---------------------------------------|----------------------|----------------------|
| Interior Storage Capacity (CF) (AHAM) | 49.7 ft ³ | 49.5 ft ³ |
| Overall Width x Depth | 55" x 33.5" | 55" x 33.5" |
| Height (including 4" casters) | 79.5" | 79.5" |
| Door Opening Width x Height | 21.75" x 59.25" | 21.75" x 27.75" |
| Depth with Door Open at 90° | 59.25" | 59.25" |
| Adjustable Shelves | 6 | 6 |
| Shelf Dimensions (W x D) | 21.25" x 26" | 21.25" x 26" |
| Adjustable Center Shelves | 3 | 3 |
| Center Shelf Dimensions (WxD) | 23" x 6" | 23" x 6" |
| Crated Shipping Weight | 578 lbs | 578 lbs |
| Crated Length x Width x Height | 58" x 37.5" x 81" | 58" x 37.5" x 81" |

Electrical / Refrigeration

| | Two Section HC2A-FGE/HC2A-HGE |
|---------------------------------------|----------------------------------|
| Voltage | 208-230/60/1 |
| HACR Breaker | 20 Amps |
| Electrical Connection (NEMA) | L14-20P |
| Voltage Range | 208-254 |
| Ambient Temp. Range | 45° to 100°F |
| Control Setpoint Range | 140° to 180°F |
| Amperage | 9 (208v) /10 (230v) |
| Energy Consumption (w) @ASTM F2140-11 | 240.80 |

Options

- Additional epoxy shelves
- Stainless steel shelves
- 1 Pan slide (HS-3557)
- 4 Pan slides (HS-3558)
- Foot pedal (HS-5380)
- 1 Wire slide (HS-5092)
- 4 Wire slides (HS-5093)
- 6" Adjustable legs
- 1 Center Shelf (HS-5388)
- 3 Center Shelves (HS-5389)



Seven year warranty on labor, parts, and compressor. Valid in United States, Canada, Puerto Rico and U.S. Territories.

For more information, please visit hoshizaki.com/support/warranty/

If GFCI is required, a GFCI breaker MUST be used in lieu of GFCI receptacle

Hoshizaki reserves the right to change specifications without notice.



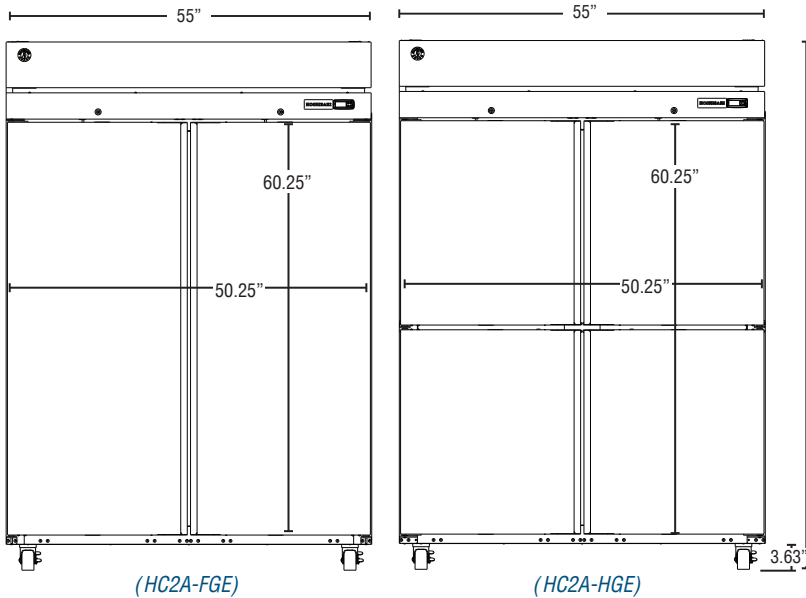
HC2A-FGE/HGE



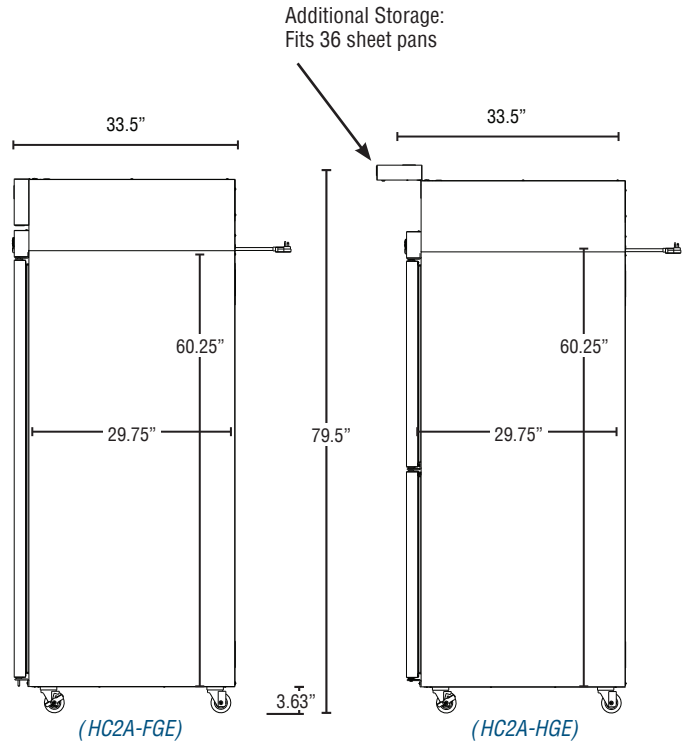
HC2A-FGE/HGE
09/30/25
Item # 13748

Two Section Heated Cabinet Full and Half Glass Doors

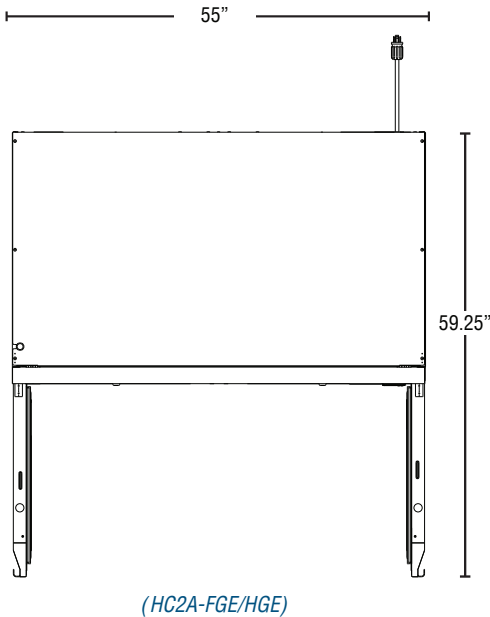
FRONT VIEW



SIDE VIEW



PLAN VIEW



Cabinet Construction

The exterior cabinet front, sides, and top are constructed of high quality stainless steel. The exterior back, and bottom are constructed of coated steel. The cabinet interior is constructed of stainless steel with a unique ducted air flow system. Three (3) heavy duty epoxy coated shelves per section are standard. Mounted on stainless steel pilasters shelves are adjustable in 1" increments. Cabinet walls and doors are insulated with 2-3/8" of environmentally friendly, CFC free, foamed in place polyurethane. 4" polyolefin, casters (two with brakes) are standard.

Door Construction

Glass doors are constructed of a high grade stainless steel exterior and interior and come standard with locks. Door glass is energy efficient multi pane, argon filled. The door hinges are all metal and include an adjustable torsion spring closure that will not wear out like traditional cam-lift hinges. Hinge plates are constructed of heavy duty stainless steel. Doors stay open at 90° and are self-closing at 75°. Snap-in magnetic door gaskets are durable and easily removed for cleaning. Door hinging is field reversible.

Operating System

The heating system consists of a high temperature fan which pulls air from the cabinet space and blows it across a resistive heater. From there, the air passes through a duct, which disperses the air equally across the height and depth of the cabinet through a carefully engineered louver pattern. A built-in ceramic heat shield adjacent to the heating element protects the blown foam insulation from contracting in the locally hot temperatures, maintaining the cabinet's structural integrity. A 6000 K LED lighting system illuminates the interior of the cabinet when selected. Specialty high-temperature rated gaskets are recessed from the interior of the door, protecting them. Solid state digital controls monitor the operation and maintain proper temperature of the cabinet space. The controls provide visual high and low temperature and high and low voltage alarms. The LED display shows the cabinet temperature and is adjustable to Fahrenheit or Celsius. The 1-sections are 115 volts and the 2 sections are 208/230 volts.