



SPEC SHEET

KoolMore 36 in. Commercial Outdoor Propane Gas Grill With Roll Dome Cover in Stainless-Steel

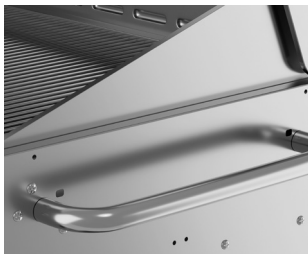
Model: CGKIT3-36D

FEATURES

- Commercial Precision: High-performance grilling for outdoor kitchens.
- Roll Dome: 36" 16-gauge 304 stainless steel with thermometer, opens to 90°.
- Durable Construction: 13-gauge 304 stainless steel resists rust and corrosion.
- Powerful Burners: Five 16,000 BTU burners, spaced 5.75" apart, for even heat.
- Quick Start-Up: Reaches cooking temp in 5 minutes.
- Spacious Cooking Area: 688 sq. in. for multiple dishes.
- Piezo Ignition: Reliable, hassle-free startups.
- Mobility: Large casters for easy movement.
- Accessories Included: 2 grates, propane hose, and side handle.
- Assembly Required: Straightforward setup with all parts included.
- ETL Certified & Warranty: Meets safety standards with a 1-year parts/labor warranty.



CLOSE UP IMAGES



TECHNICAL SPECS

Dimensions

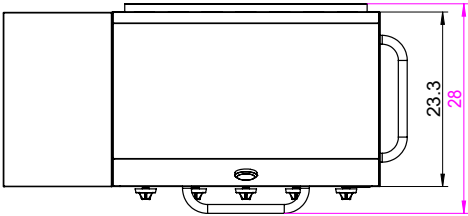
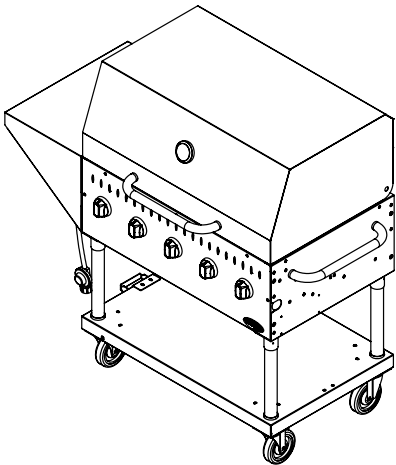
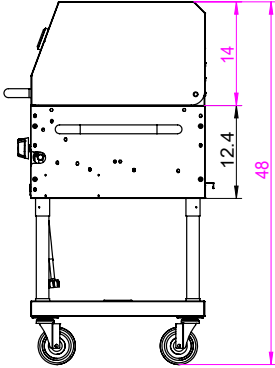
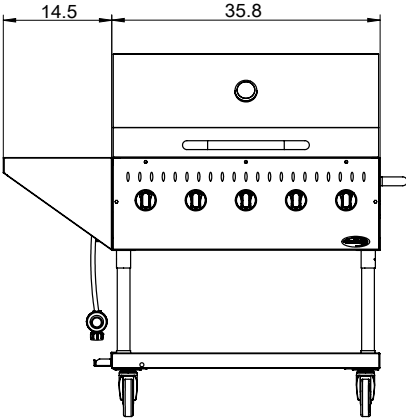
Length	35.8
Width	23.22
Height	34.8
Assembled Height	48.6
Weight lbs	176

Features & Materials

Assembly Required	Yes
Burner Grate Material	Stainless-Steel
Number Of Burners	5
Fuel Type	LP
Casters	4
Ignition Type	Pizeo
Certifications	ETL Listed

Plan View

Grill



CERTIFICATIONS

The certification logo features the ETL mark with 'C' on the left and 'US' on the right, and 'Intertek' written below it.



706 Eastern Parkway STE 1G, Brooklyn NY 11213
718-576-6342
info@koolmore.com