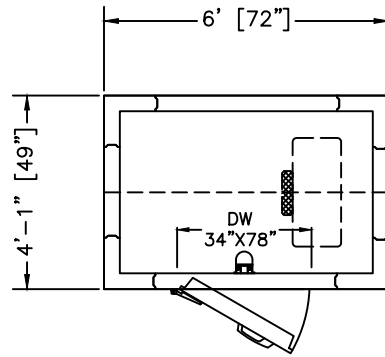
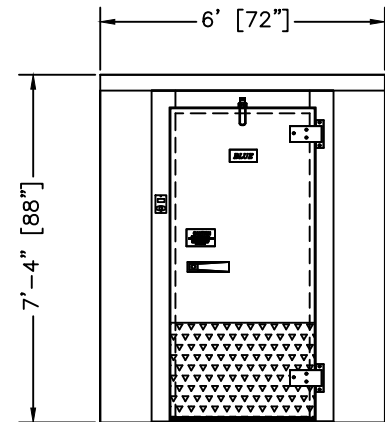


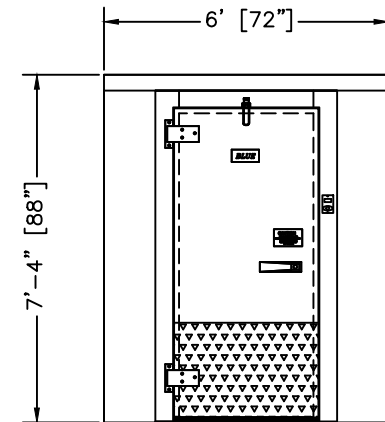
PLAN VIEW
RIGHT HINGE
SELECT



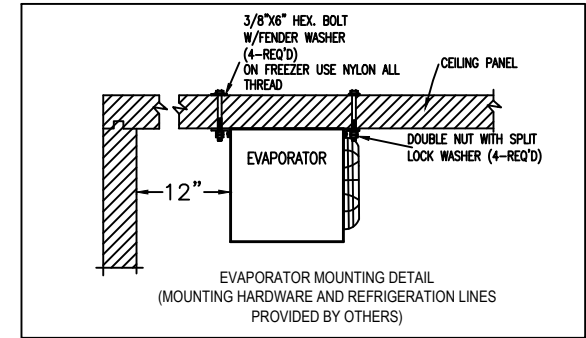
PLAN VIEW
LEFT HINGE
SELECT



ELEVATION
RIGHT HINGE



ELEVATION
LEFT HINGE



REFRIGERATION DESIGN SPECIFICATIONS	
WALK-IN AMBIENT TEMP:	90°F
CONDENSER AMBIENT TEMP:	95°F
INCOMING PRODUCT TEMP:	≤0°F
HOLDING TEMP:	-10°F
OPENINGS PER HOUR:	2
REFRIGERATION LINE MAX LENGTH:	40FT (PROVIDED BY OTHERS)
PRODUCT SPECIFICATIONS	
MODEL:	BL64-F-R
WALK-IN SPECIFICATIONS	
INTERIOR/EXTERIOR FINISH	26 GAUGE MILL EMBOSSED ACRYLUME OR 26 GAUGE STUCCO EMBOSSED GALVANIZED STEEL
ELECTRICAL (VOLTS/Hz/PH)	115/60/1
DOOR AMP.	2.2
EVAPORATOR SPECIFICATIONS	
ELECTRICAL (VOLTS/Hz/PH)	230/60/1
MCA/MOPD	15/15 AMPS
WEIGHT (LBS)	41
CONDENSING UNIT SPECIFICATIONS	
ELECTRICAL (VOLTS/Hz/PH)	208-230/60/1
MCA/MOPD	15/20 AMPS
WEIGHT (LBS)	195
WALK-IN AND REFRIGERATION FREIGHT	
TOTAL SHIPPING WEIGHT (LBS)	1280
MAXIMUM PALLET SIZE	48" X 96" X 102" HIGH
NUMBERS OF PALLETS	2

MODEL: BL64-F-R
INDOOR-WITH FLOOR
FREEZER -10°F
REMOTE PRE-ASSEMBLED REFRIGERATION

CUSTOMER APPROVAL

DATE: _____

SIGNATURE: _____

CONFIDENTIAL

THE DRAWINGS, TECHNICAL DATA, AND ALL OTHER INFORMATION SET FORTH IN THIS DOCUMENT COMPRISE TRADE SECRETS AND CONFIDENTIAL INFORMATION THAT IS THE EXCLUSIVE PROPERTY OF ARCTIC INDUSTRIES, LLC.

USE OF SUCH INFORMATION IS LIMITED TO THE PURPOSE FOR WHICH IT WAS PROVIDED AND NO RECIPIENT IS PERMITTED TO USE, COPY, OR DISCLOSE SUCH INFORMATION EXCEPT AS EXPRESSLY AUTHORIZED BY ARCTIC INDUSTRIES, LLC.

WALK-IN COOLERS AND FREEZERS
MIAMI, FLORIDA
Phone: (305) 883-5581
LOS ANGELES, CALIFORNIA
Phone: (626) 508-0920

Intertek CONFORMS TO UL STRAITS
Intertek CONFORMS TO NSF 507