



# SPEC SHEET

## KoolMore 54 in. Commercial Two Glass Door Convertible Reach-In Refrigerator/Freezer with 49 Cu. Ft.

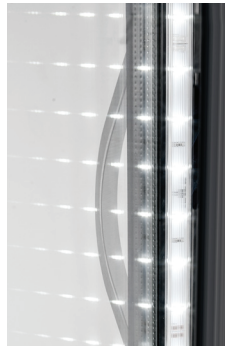
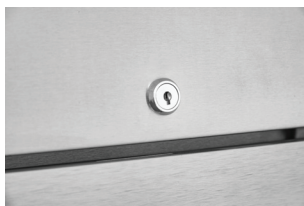
SKU: KM-RIC-2DGD

### FEATURES

- Two glass doors provide clear visibility of contents.
- Spacious 49 cu. ft. capacity for ample storage.
- Durable stainless steel construction ensures longevity.
- Self-closing doors for energy efficiency.
- Adjustable shelves for customizable storage options.
- Bright LED lighting illuminates the interior.
- ETL listed for safety and sanitation compliance.
- Digital temperature display for precise monitoring.



### CLOSE UP IMAGES



# TECHNICAL SPECS

## Dimensions

Length	32.68
Width	53.94
Height	82.28
Interior Depth	27.56
Interior Width	49.37
Interior Height	59.68
Weightlbs	518
Depth Excluding Handles	31.89
Depth Less Door	29.92
Depth With Door Open 90 Degrees	57.68
Height To Top Of Door Hinge In	73.03
Depth Including Handles	33.74
Height To Top Of Case In	82.28
Power Cord Length	110
Minimum Side Air Clearance In	2 in.
Minimum Back Air Clearance In	2 in.

## Capacity

Gross Cubic Feet	48
Net Cubic Feet	43.9
Individual Shelf Capacity	50 lbs.

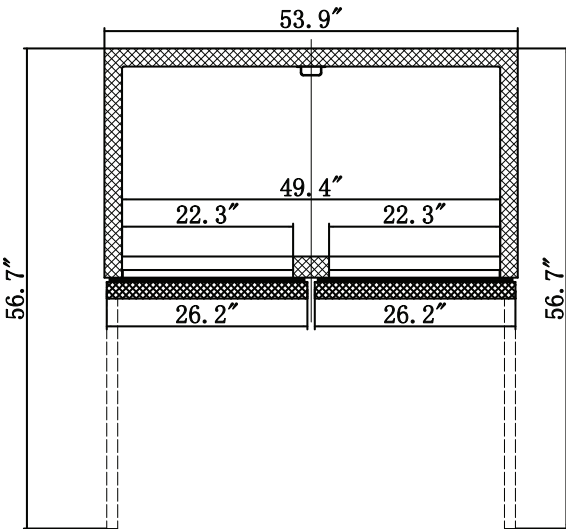
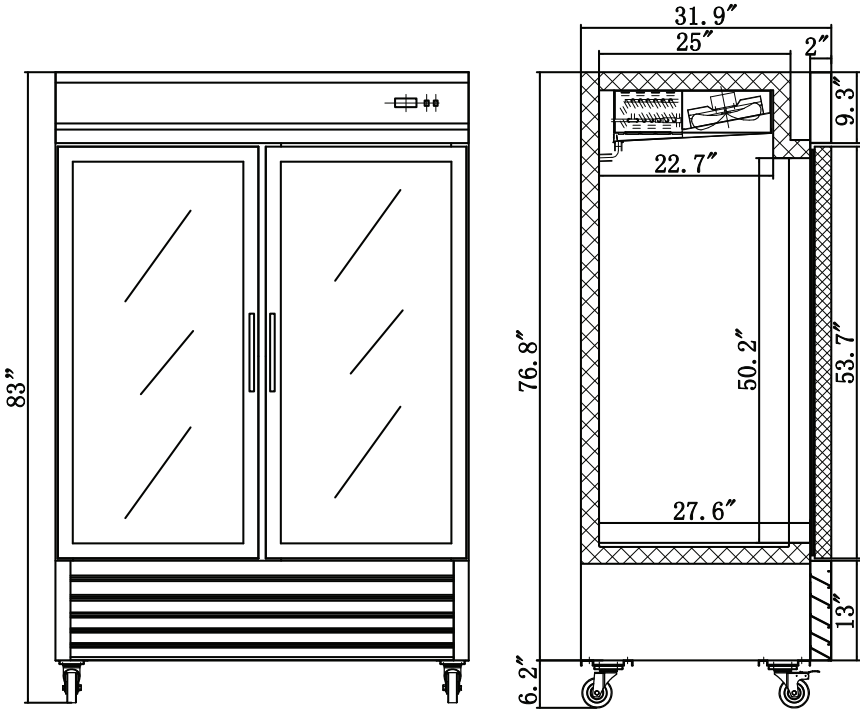
## Features & Materials

Shelves Adjustable	Yes
Temperature Range	34-38 F/ -10--7 F
Ambient Temperature Range	100 F
Defrost Type	Automatic
Refrigerant Type	R-290
Cooling Unit Type	Automatic
Number Of Shelves	4
Shabbos Mode	No
Interior Lights	LED
Temperature Control Type	DIGITAL
Control Type	Digital
Noise	55dB
Conversion Time Refrigerator To Freezer	5 hrs.
Conversion Time Freezer To Refrigerator	5 hrs.
Door Material	Glass
Interior Material	Painted Aluminum
Exterior Material	Stainless-Steel
Interior Cabinet Insulation	Polyurethane
Number Of Doors	2
Door Style	Swing
Reversible Door S	
Color Finish	Stainless-Steel
Anti Condensation Glass Heating Strips	Yes

## Electric & Certification

Horsepower	1
Amps	9
Hertz	60
Phase	1
Voltage	115
Wattage	1050
Plug Type	NEMA 5-15P
Certifications	ETL Listed for Safety and Sanitation

# Plan View



**CERTIFICATIONS**




Intertek Intertek



718-576-6342  
 info@koolmore.com