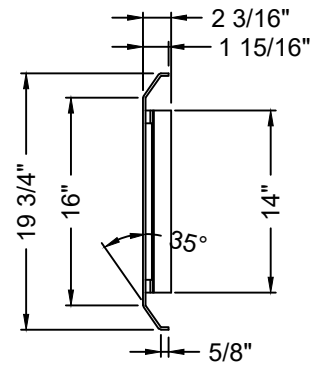
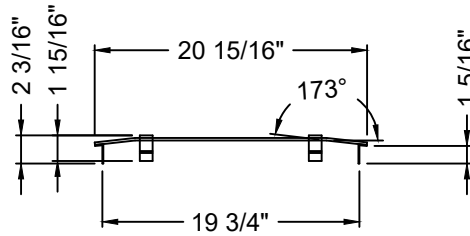


**FRONT ELEVATION**

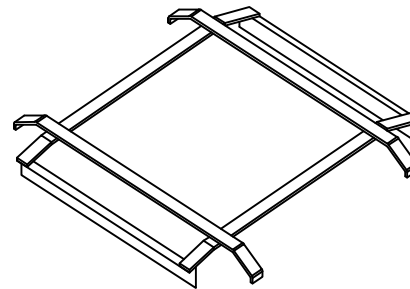


**SIDE VIEW**

- 6 GA. 304 STAINLESS STEEL CONSTRUCTION.
- 14 GA.304 STAINLESS STEEL FIXED PLATES.



**PLAN VIEW**



**ISOMETRIC**

DRAWIN FOR :	MAT. TOP :18 GA. 304S/S	DATE	REVISIONS	<b>KLINGER'S TRADING</b>
REF. NO :	BASE :			
ITEM NAME : Tray Slides	REQ'D/ITEM :			
PROD . NO. : SDTTRAY2020	DATE : Aug / 30 / 2022			
SCALE: 1/2" =1'-0"	BY :			
	CHECKED BY :			