

APPLICATION:

PRODUCT NAME:
 STAINLESS STEEL SINGLE DECK DUAL
 CONTROL VALVE

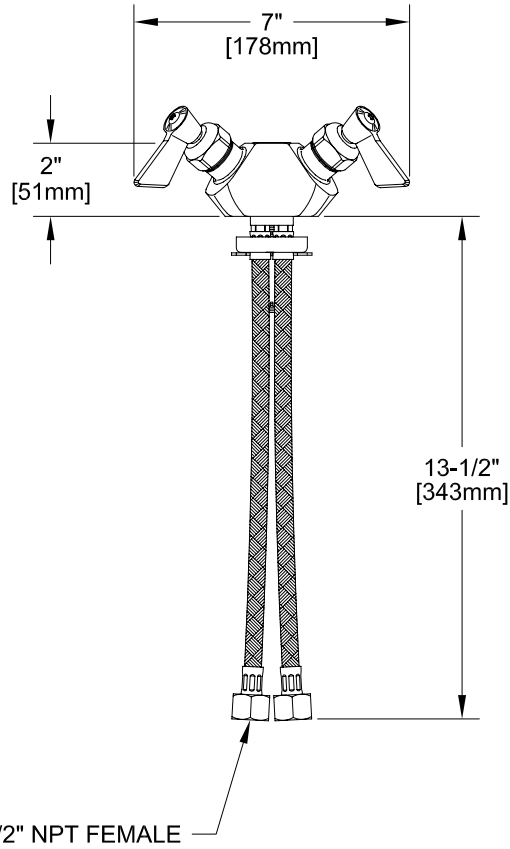
JOB NAME:

MODEL:
 ■ 63134

QUANTITY:

ITEM NO.

FEATURES



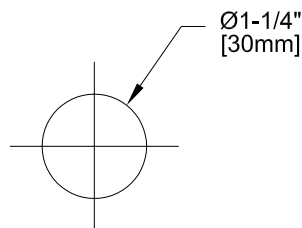
- CONTROL VALVE
- * RIGID OUTLET
 - * HOT SIDE STEM - RIGHT HAND
 - * COLD SIDE STEM - LEFT HAND
 - * SWIVELLING SEAT DISKS
 - * STAINLESS STEEL SEATS
 - * STAINLESS STEEL SEAT SCREWS
 - * STAINLESS STEEL HANDLE SCREWS
 - * FLEXIBLE INLET HOSES

- SYSTEM LIMITS
- * TEMP: 40°F MIN. TO 140°F MAX.
 - * PRESSURE: 200 PSI MAX. STATIC

- SHIPPING WEIGHT
- * 5.0 LBS

- * NSF 61-9 APPROVED & LISTED
- www.truesdail.com

ROUGH-IN:



ANSI/A112.18.1M

FISHER
 FISHER MANUFACTURING COMPANY
 TOLL FREE: 800-421-6162 - FAX: 800-832-8238
information@fisher-mfg.com - www.fisher-mfg.com