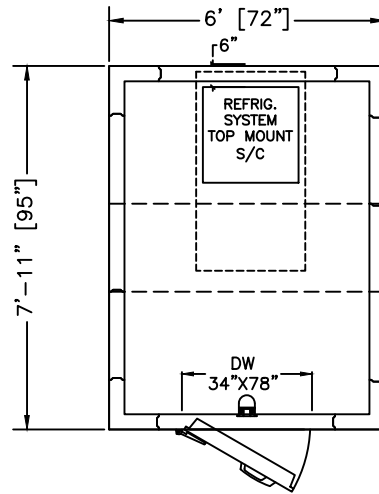
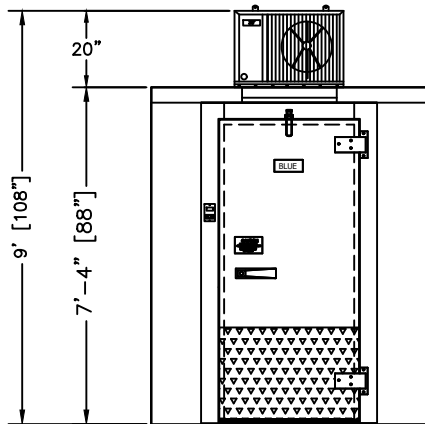


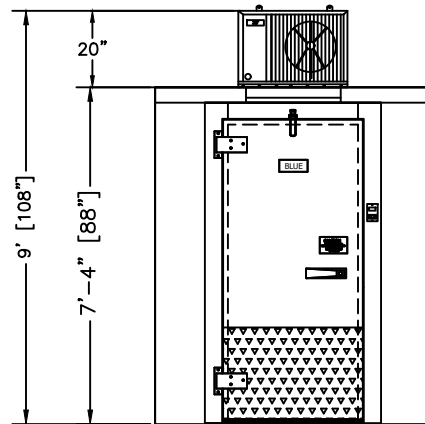
*PLAN VIEW*  
RIGHT HINGE  
SELECT



*PLAN VIEW*  
LEFT HINGE  
SELECT

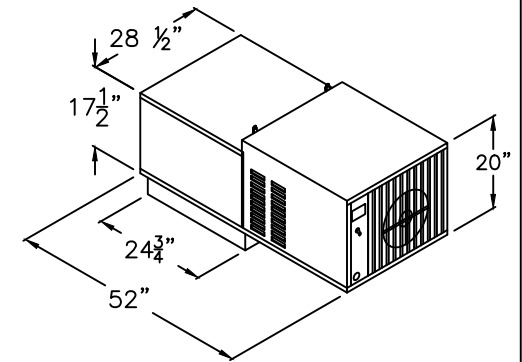
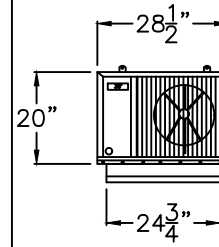


*ELEVATION*  
RIGHT HINGE



*ELEVATION*  
LEFT HINGE

REFRIGERATION UNIT



IMPORTANT: ALLOW 2 FEET CLEARANCE ABOVE UNIT  
DO NOT STORE OBJECTS IN FRONT OR THE SIDES OF THE UNIT.  
FOLLOW OEM'S CLEARANCE GUIDELINES TO ENSURE PROPER OPERATION

REFRIGERATION DESIGN SPECIFICATIONS

|                         |          |
|-------------------------|----------|
| WALK-IN AMBIENT TEMP:   | 90°F     |
| CONDENSER AMBIENT TEMP: | 95°F     |
| PULLDOWN:               | 24 Hours |
| HOLDING TEMP:           | 35°F     |
| OPENINGS PER HOUR:      | 2        |

PRODUCT SPECIFICATIONS

|                          |  |
|--------------------------|--|
| MODEL:                   | BL68-C-SC  |
| WALK-IN SPECIFICATIONS   |  |
| INTERIOR/EXTERIOR FINISH | 26 GAUGE MILL EMBOSSED ACRYLUME OR 26 GAUGE STUCCO EMBOSSED GALVANIZED STEEL |
| ELECTRICAL (VOLTS/Hz/PH) | 115/60/1   |
| MAX AMP.                 | 0.8  |

REFRIGERATION SYSTEM SPECIFICATIONS

|                          |              |
|--------------------------|--------------|
| ELECTRICAL (VOLTS/Hz/PH) | 208/230/1/60 |
| AMPS                     | 6.3          |
| WEIGHT (LBS)             | 195          |
| MATCHING NEMA RECEPTACLE | 6-15R        |

WALK-IN AND REFRIGERATION FREIGHT

|                             |                       |
|-----------------------------|-----------------------|
| TOTAL SHIPPING WEIGHT (LBS) | 969                   |
| MAXIMUM PALLET SIZE         | 48" X 96" X 102" HIGH |
| NUMBERS OF PALLETS          | 1                     |

MODEL: BL68-C-SC  
INDOOR-NO FLOOR  
COOLER 35°F  
SELF-CONTAINED SYSTEM

CUSTOMER APPROVAL

DATE: \_\_\_\_\_  
SIGNATURE: \_\_\_\_\_

**CONFIDENTIAL**

THE DRAWINGS, TECHNICAL DATA, AND ALL OTHER INFORMATION SET FORTH IN THIS DOCUMENT COMPRISE TRADE SECRETS AND CONFIDENTIAL INFORMATION THAT IS THE EXCLUSIVE PROPERTY OF ARCTIC INDUSTRIES, LLC.

USE OF SUCH INFORMATION IS LIMITED TO THE PURPOSE FOR WHICH IT WAS PROVIDED AND NO RECIPIENT IS PERMITTED TO USE, COPY, OR DISCLOSE SUCH INFORMATION EXCEPT AS EXPRESSLY AUTHORIZED BY ARCTIC INDUSTRIES, LLC.

**Arctic**  
WALK-IN COOLERS AND FREEZERS  
MIAMI, FLORIDA  
Phone: (305) 883-5581  
LOS ANGELES, CALIFORNIA  
Phone: (626) 508-0920

Intertek CONFORMS TO UL STRAITS  
Intertek CONFORMS TO NSF 501